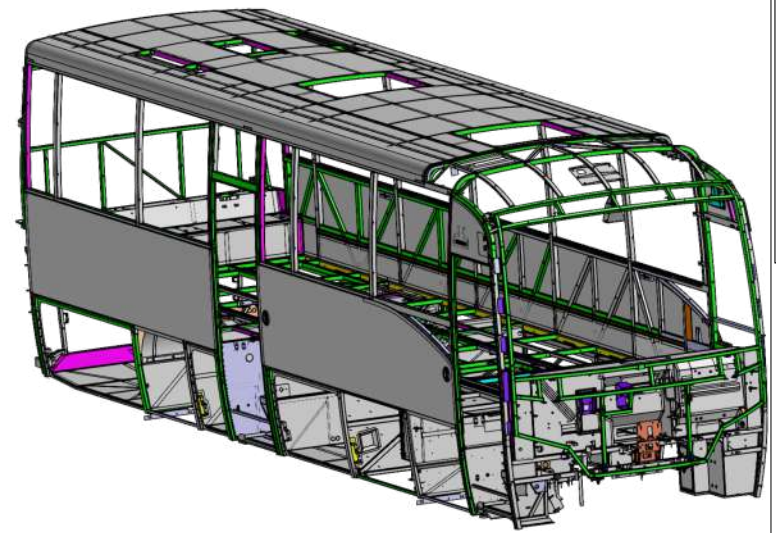




Deckblatt	1
Mesh Data	3
Surface Analysis	4
Surface Analysis	5
Surface Analysis	6
Surface Analysis	7
Surface Analysis	8
Surface Analysis	9
Surface Analysis	10
Surface Analysis	11
Surface Analysis	12
Surface Analysis	13
Surface Analysis	14
Surface Analysis	15
Surface Analysis	16
Surface Analysis	17
Surface Analysis	18
Geometric Mea.	19
Geometric Mea.	20
Geometric Mea.	21
Geometric Mea.	22
Geometric Mea.	23
Geometric Mea.	24
Geometric Mea.	25
Geometric Mea.	26
Geometric Mea.	27
Geometric Mea.	28
Geometric Mea.	29
Geometric Mea.	30



**Part No:** 399915210000-GOVDE-0.0-In Work-RECEPSAHIN

**CAD data:** 399915210000-GOVDE-0.0-In Work-RECEPSAHIN

**Date:** 2.06.2025

**Creator:** EVREN ŞENSOY

**Company:** ISUZU

**Department:** ZERO TOLERANS KALİTE BİRİMİ



**Inspector:** EVREN ŞENSOY

**Inspect date:** 2.06.2025

**Location:** İSTANBUL

**Scan Data Name :** 1

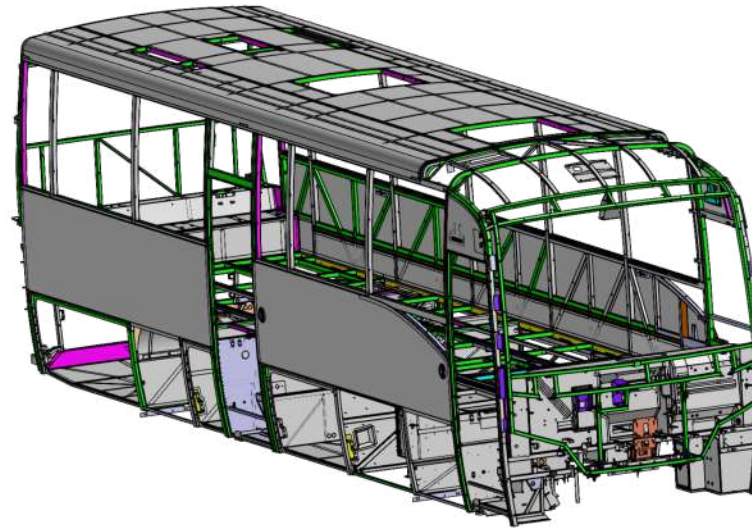
**Cad Data Name :** 399915210000-GOVDE-0.0-In Work-RECEPSAHIN

**CAD data:** 399915210000-GOVDE-0.0-In Work-RECEPSAHIN

**Alignment:**

Geometric Mea.

31



**Part No:** 399915210000-GOVDE-0.0-In Work-RECEPSAHIN

**CAD data:** 399915210000-GOVDE-0.0-In Work-RECEPSAHIN

**Date:** 2.06.2025

**Creator:** EVREN ŞENSOY

**Company:** ISUZU

**Department:** ZERO TOLERANS KALİTE BİRİMİ

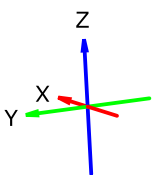
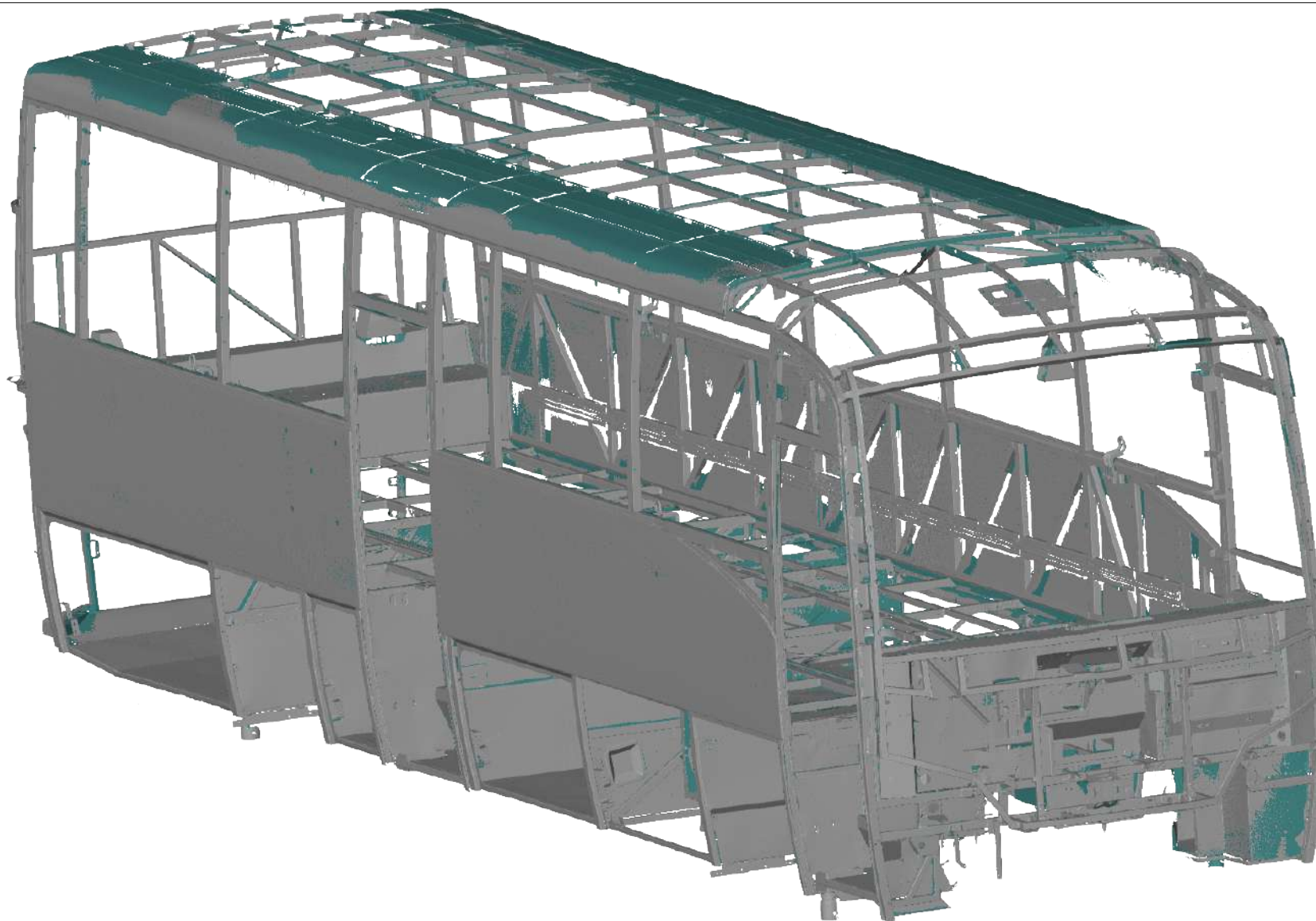


ZERO  
TOLERANS

**Inspector:** EVREN ŞENSOY  
**Inspect date:** 2.06.2025  
**Location:** İSTANBUL

**Scan Data Name :** 1  
**Cad Data Name :** 399915210000-GOVDE-0.0-In Work-RECEPSAHIN

**CAD data:**  
399915210000-GOVDE-0.0-In Work-RECEPSAHIN  
**Alignment:**



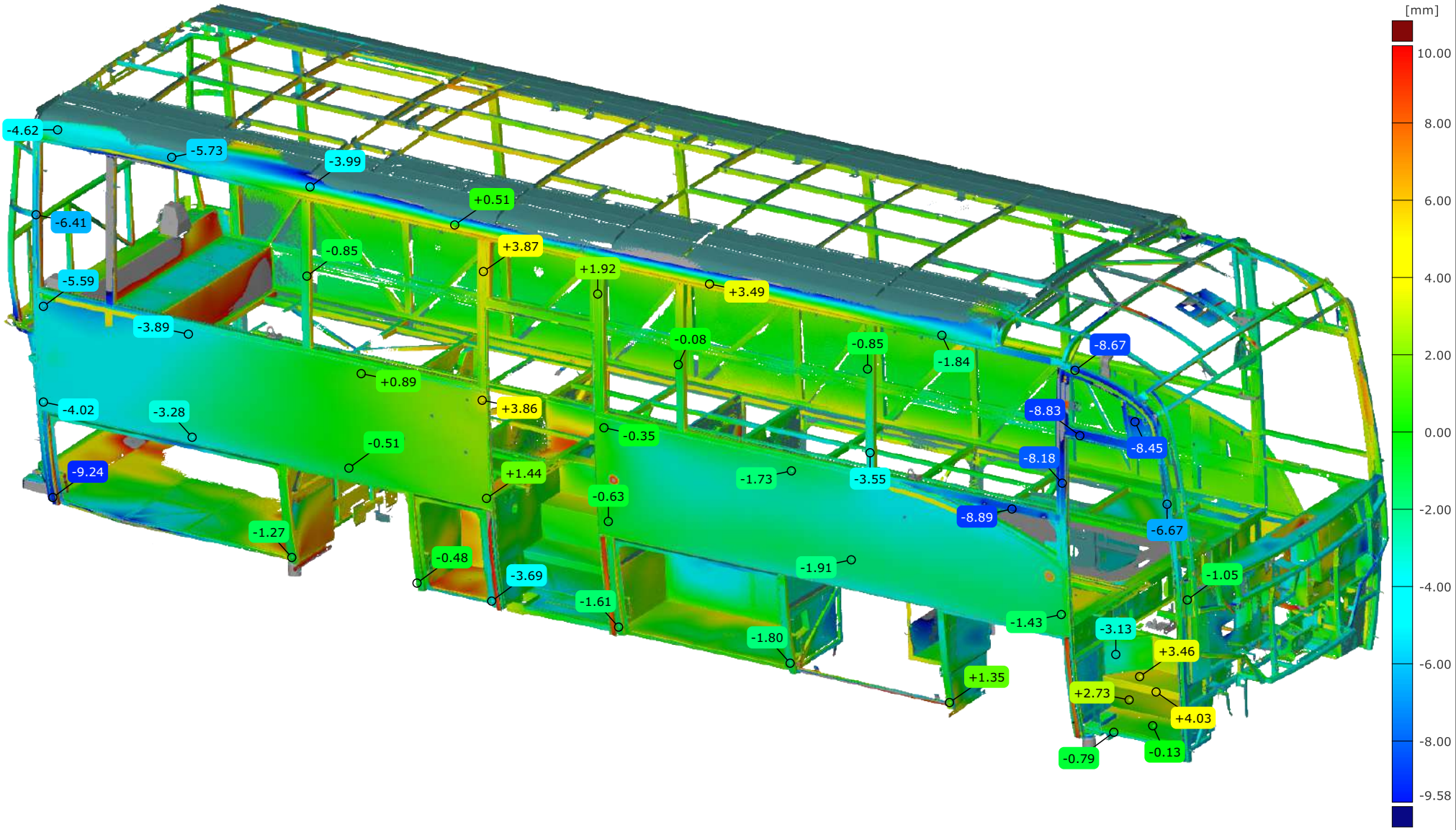
**Inspector:** EVREN ŞENSOY  
**Inspect date:** 2.06.2025  
**Location:** İSTANBUL

**Scan Data Name :** 1  
**Cad Data Name :** 399915210000-GOVDE-0.0-In Work-RECEPSA

**CAD data:**  
399915210000-GOVDE-0.0-In Work-RECEPSAHI  
**Alignment:**  
Prealignment

# Surface Analysis

4/31



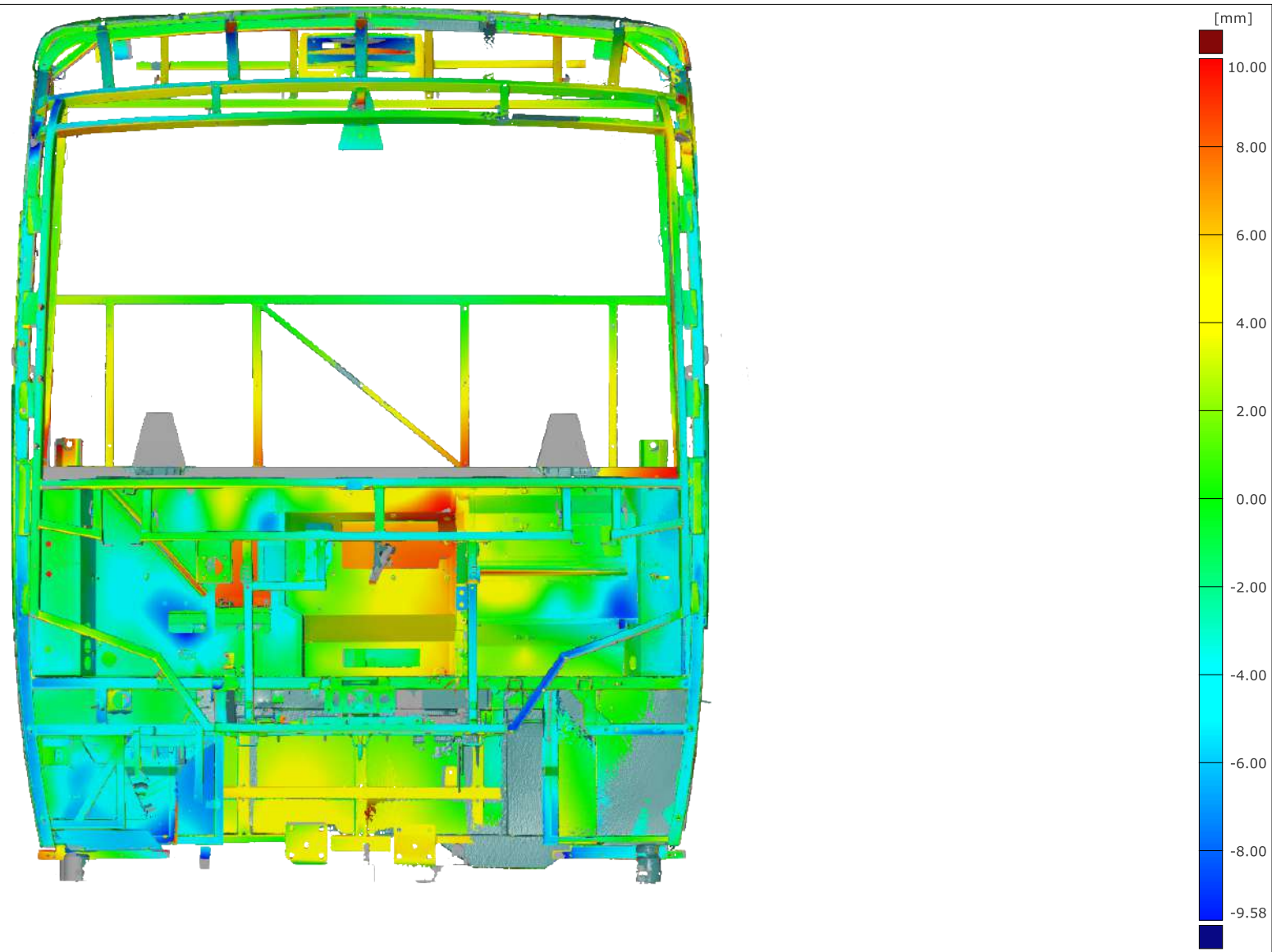
Inspector: EVREN ŞENSOY  
Inspect date: 2.06.2025  
Location: İSTANBUL

Scan Data Name : 1  
Cad Data Name : 399915210000-GOVDE-0.0-In Work-RECEPSA

CAD data:  
399915210000-GOVDE-0.0-In Work-RECEPSA  
Alignment:  
Prealignment

# Surface Analysis

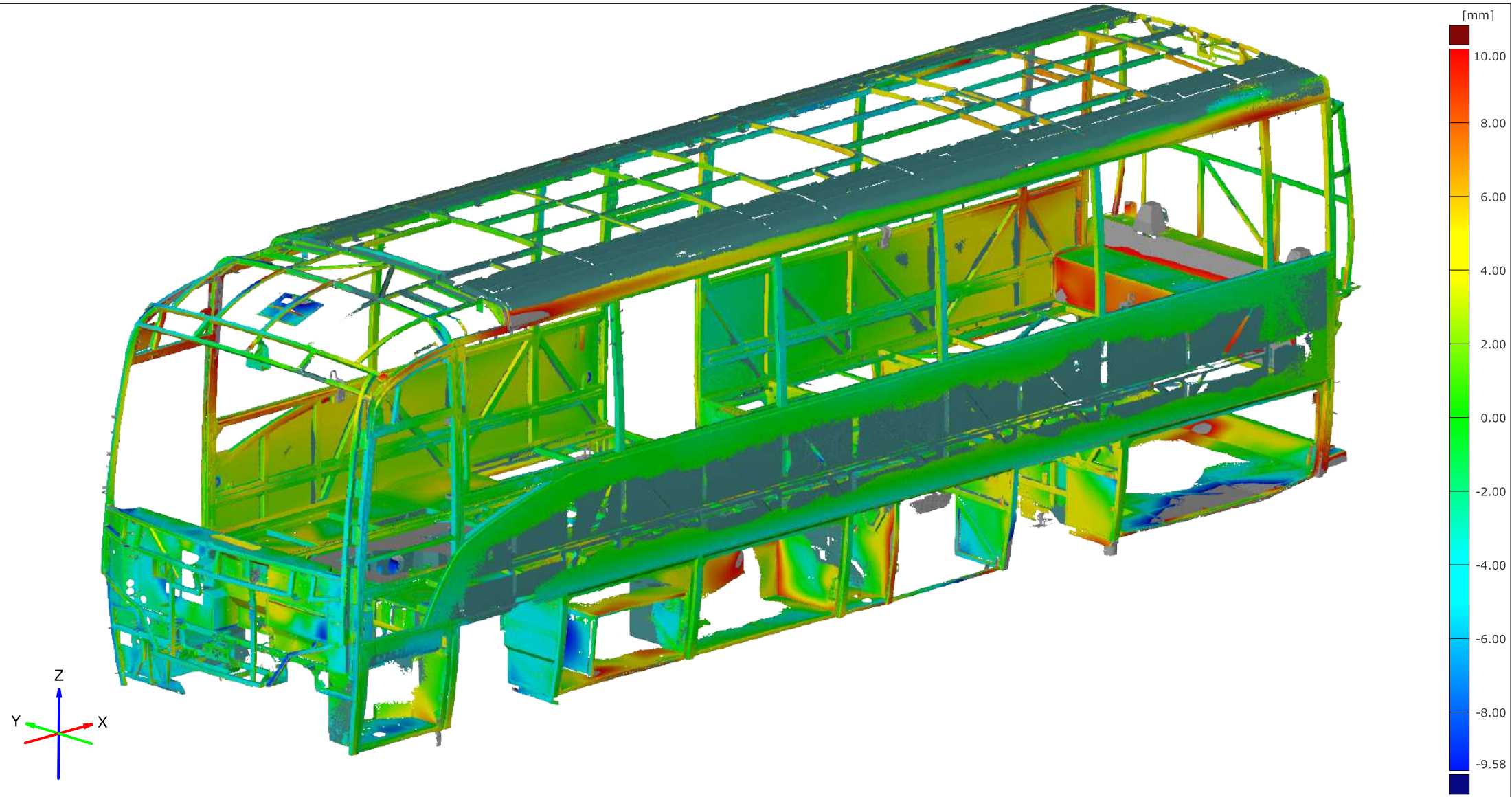
5/31



Inspector: EVREN ŞENSOY  
Inspect date: 2.06.2025  
Location: İSTANBUL

Scan Data Name : 1  
Cad Data Name : 399915210000-GOVDE-0.0-In Work-RECEPSAHI

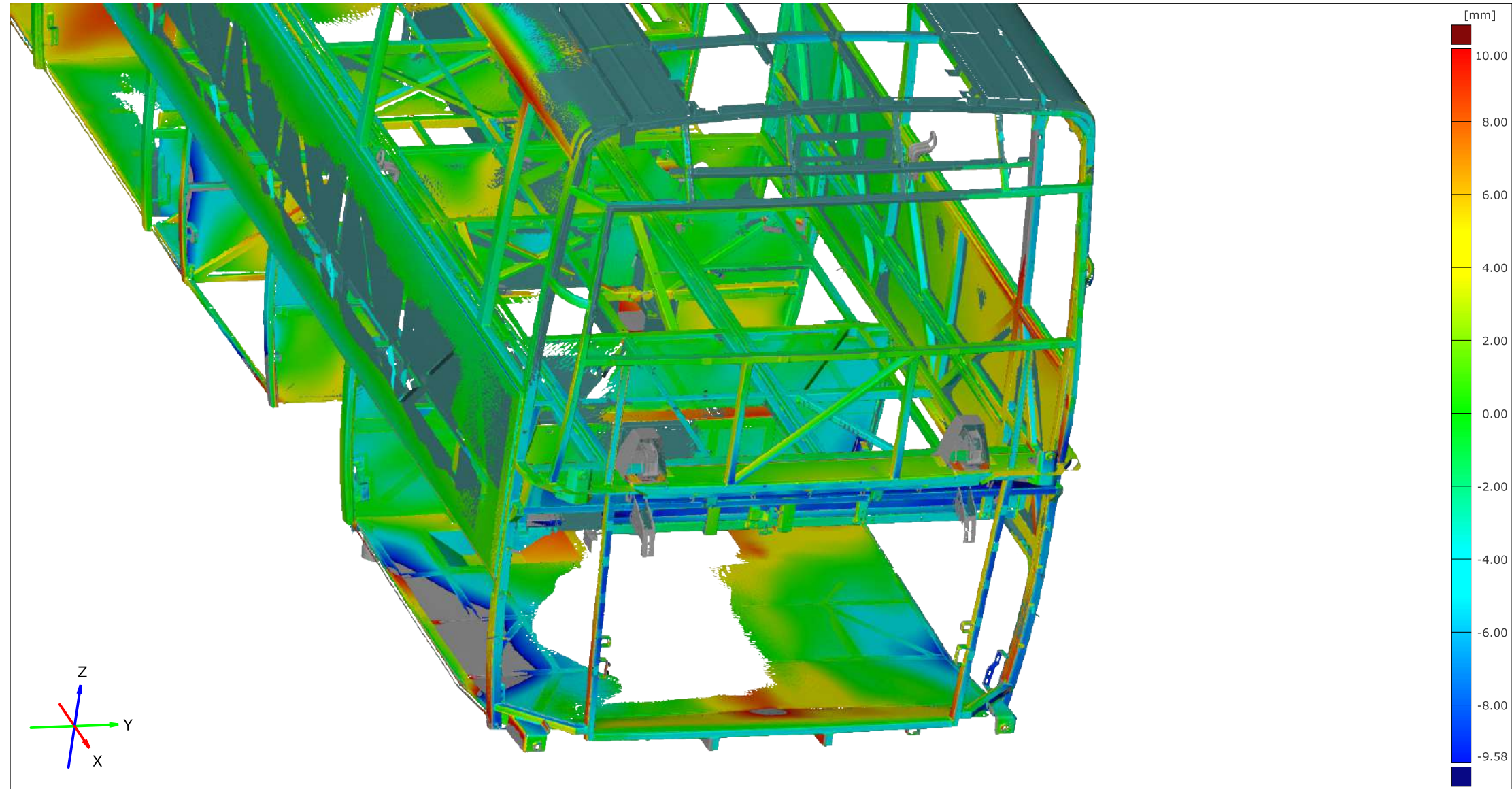
CAD data:  
399915210000-GOVDE-0.0-In Work-RECEPSAHI  
Alignment:  
Prealignment



**Inspector:** EVREN ŞENSOY  
**Inspect date:** 2.06.2025  
**Location:** İSTANBUL

**Scan Data Name :** 1  
**Cad Data Name :** 399915210000-GOVDE-0.0-In Work-RECEPSA

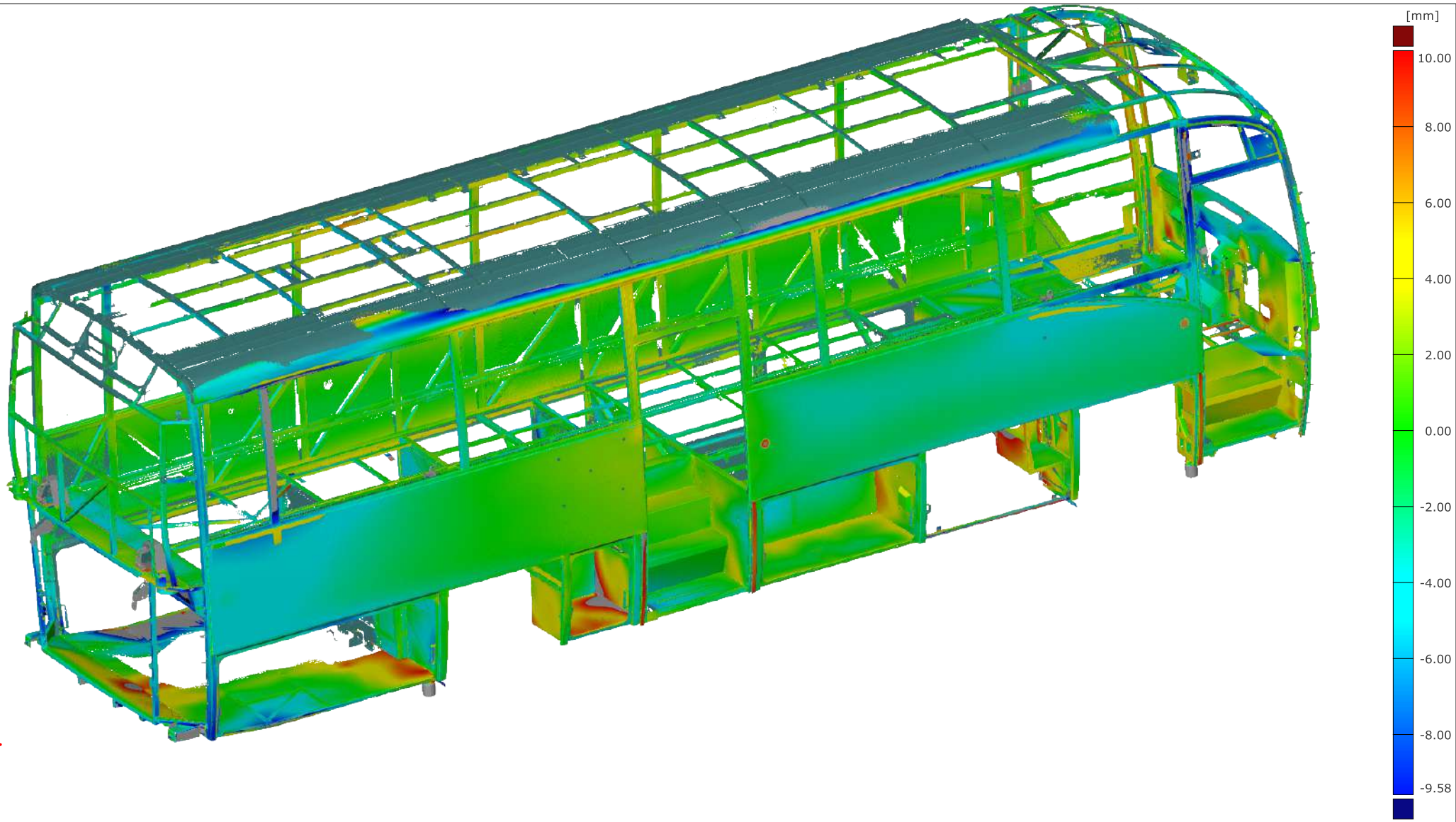
**CAD data:**  
399915210000-GOVDE-0.0-In Work-RECEPSAHI  
**Alignment:**  
Prealignment



**Inspector:** EVREN ŞENSOY  
**Inspect date:** 2.06.2025  
**Location:** İSTANBUL

**Scan Data Name :** 1  
**Cad Data Name :** 399915210000-GOVDE-0.0-In Work-RECEPSA

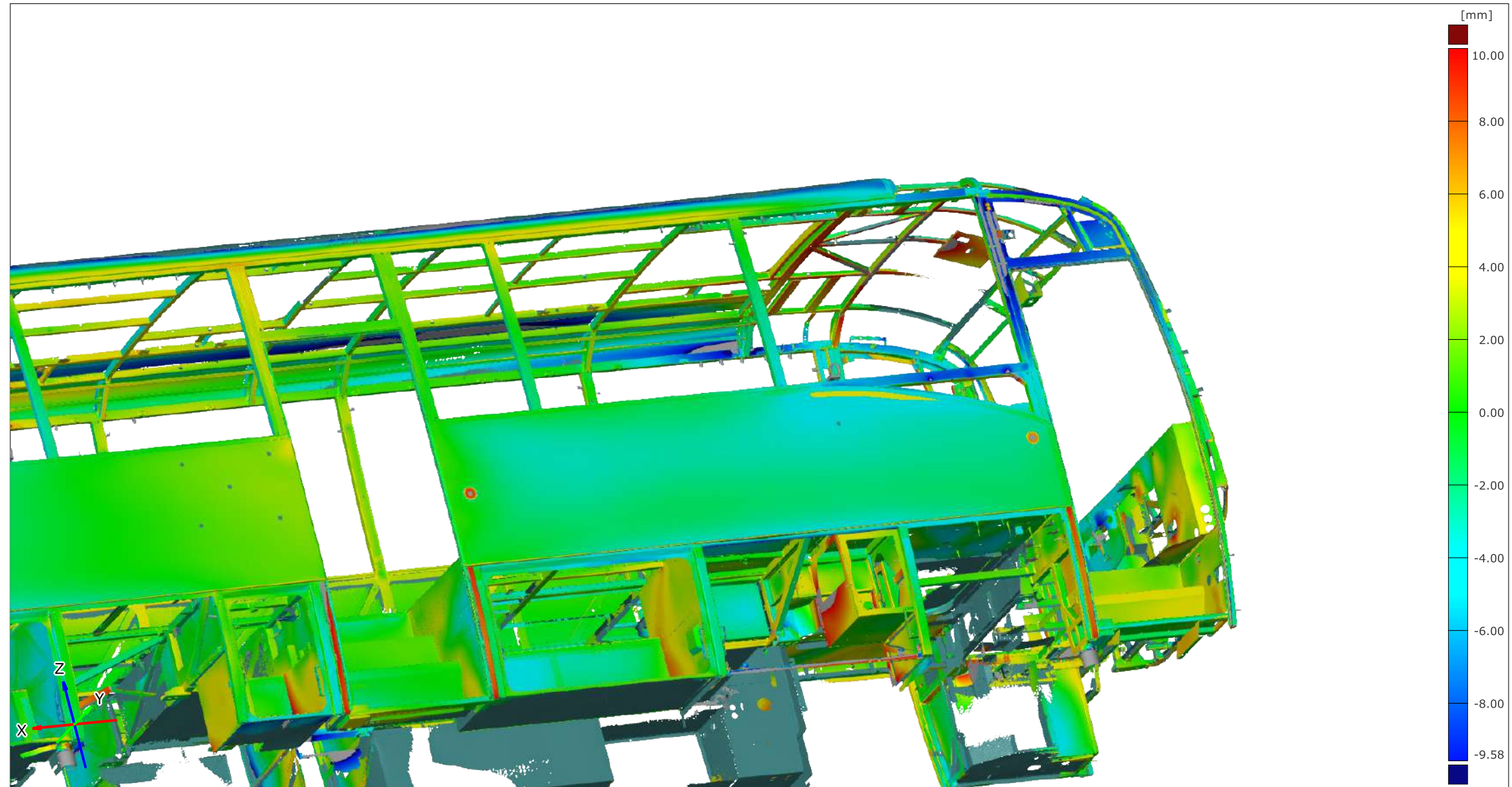
**CAD data:**  
399915210000-GOVDE-0.0-In Work-RECEPSAHI  
**Alignment:**  
Prealignment



**Inspector:** EVREN ŞENSOY  
**Inspect date:** 2.06.2025  
**Location:** İSTANBUL

**Scan Data Name :** 1  
**Cad Data Name :** 399915210000-GOVDE-0.0-In Work-RECEPSA

**CAD data:**  
399915210000-GOVDE-0.0-In Work-RECEPSAHI  
**Alignment:**  
Prealignment



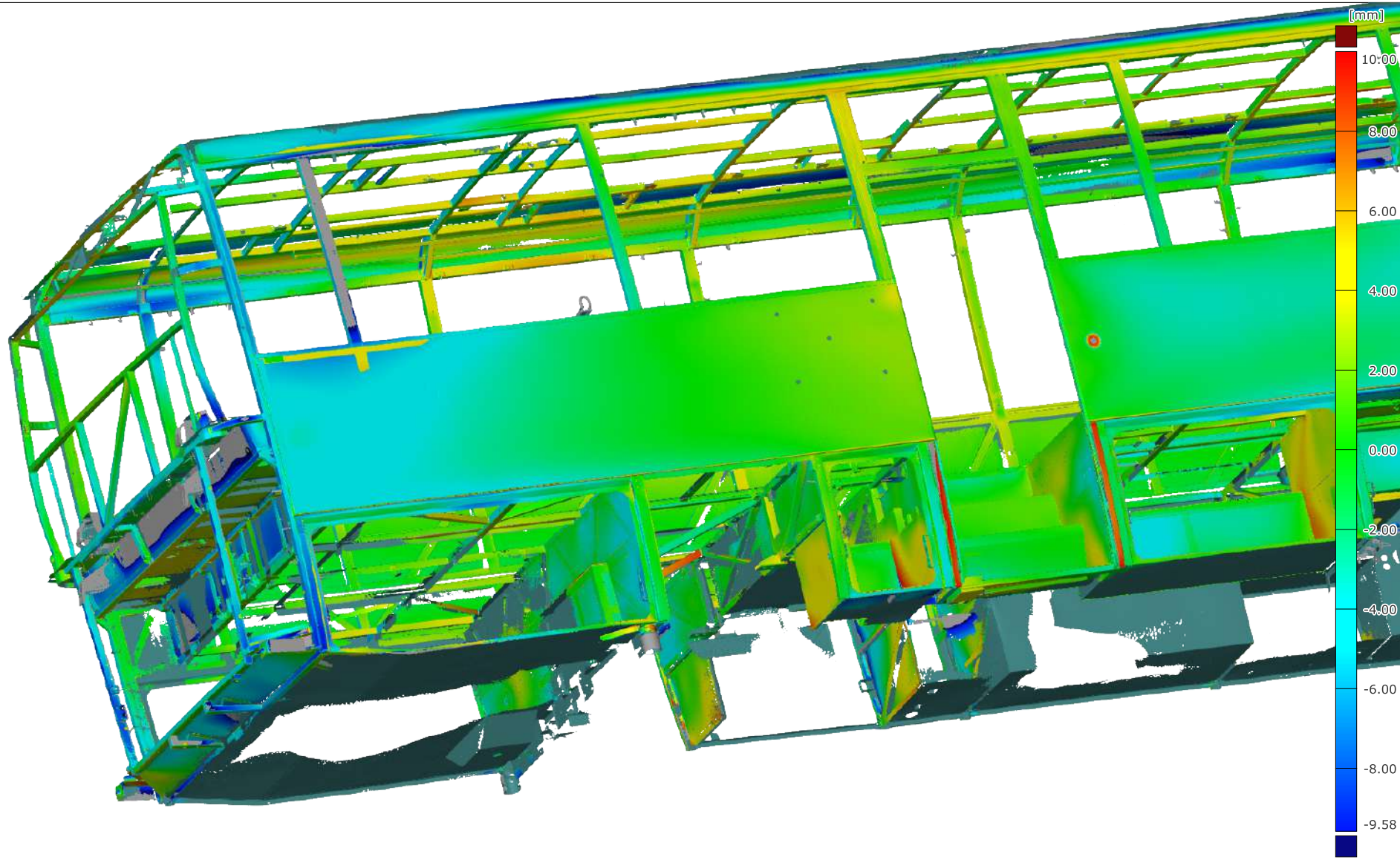
**Inspector:** EVREN ŞENSOY  
**Inspect date:** 2.06.2025  
**Location:** İSTANBUL

**Scan Data Name :** 1  
**Cad Data Name :** 399915210000-GOVDE-0.0-In Work-RECEPSA

**CAD data:**  
399915210000-GOVDE-0.0-In Work-RECEPSAHI  
**Alignment:**  
Prealignment

# Surface Analysis

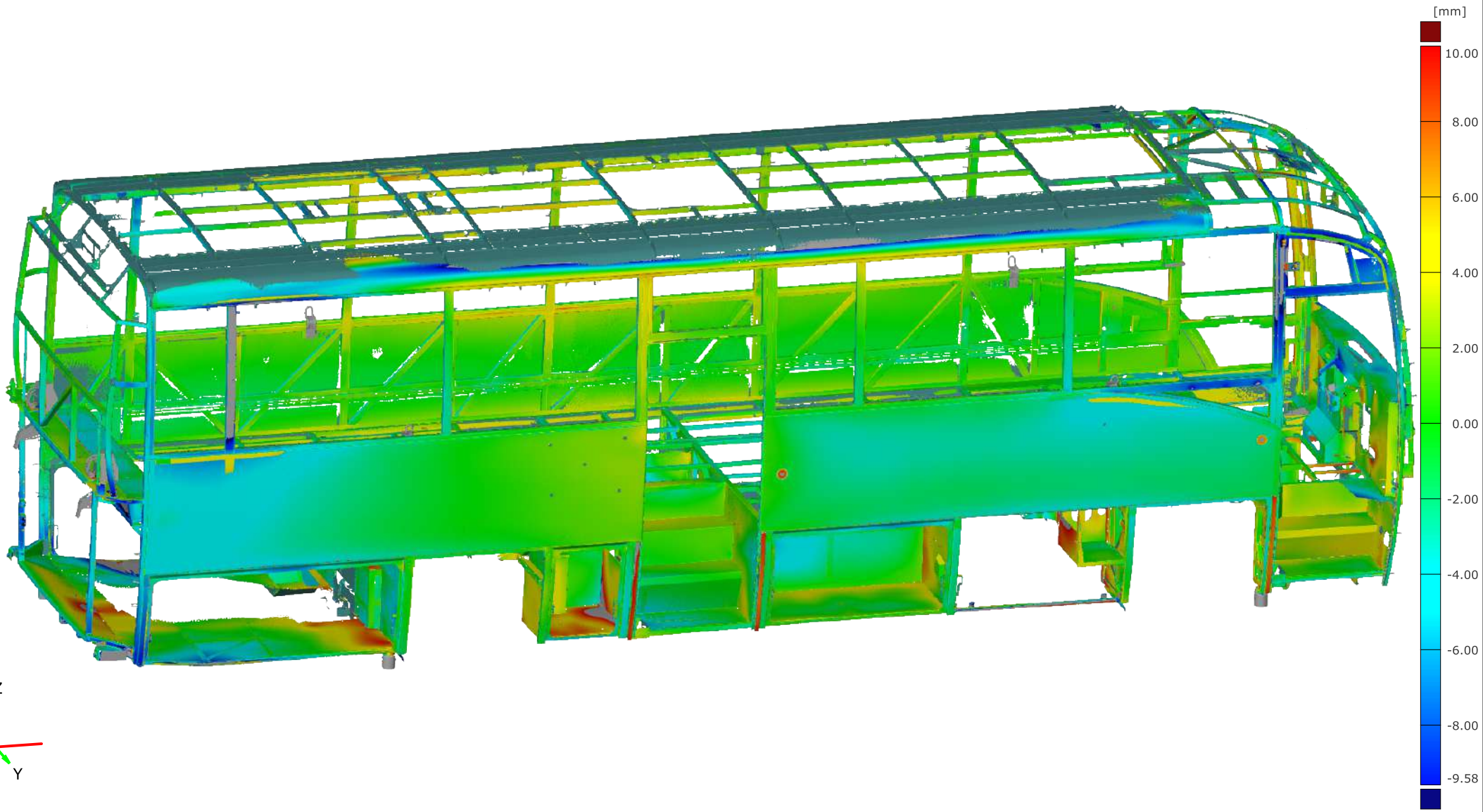
10/31



**Inspector:** EVREN ŞENSOY  
**Inspect date:** 2.06.2025  
**Location:** İSTANBUL

**Scan Data Name :** 1  
**Cad Data Name :** 399915210000-GOVDE-0.0-In Work-RECEPSA

**CAD data:**  
399915210000-GOVDE-0.0-In Work-RECEPSAHI  
**Alignment:**  
Prealignment



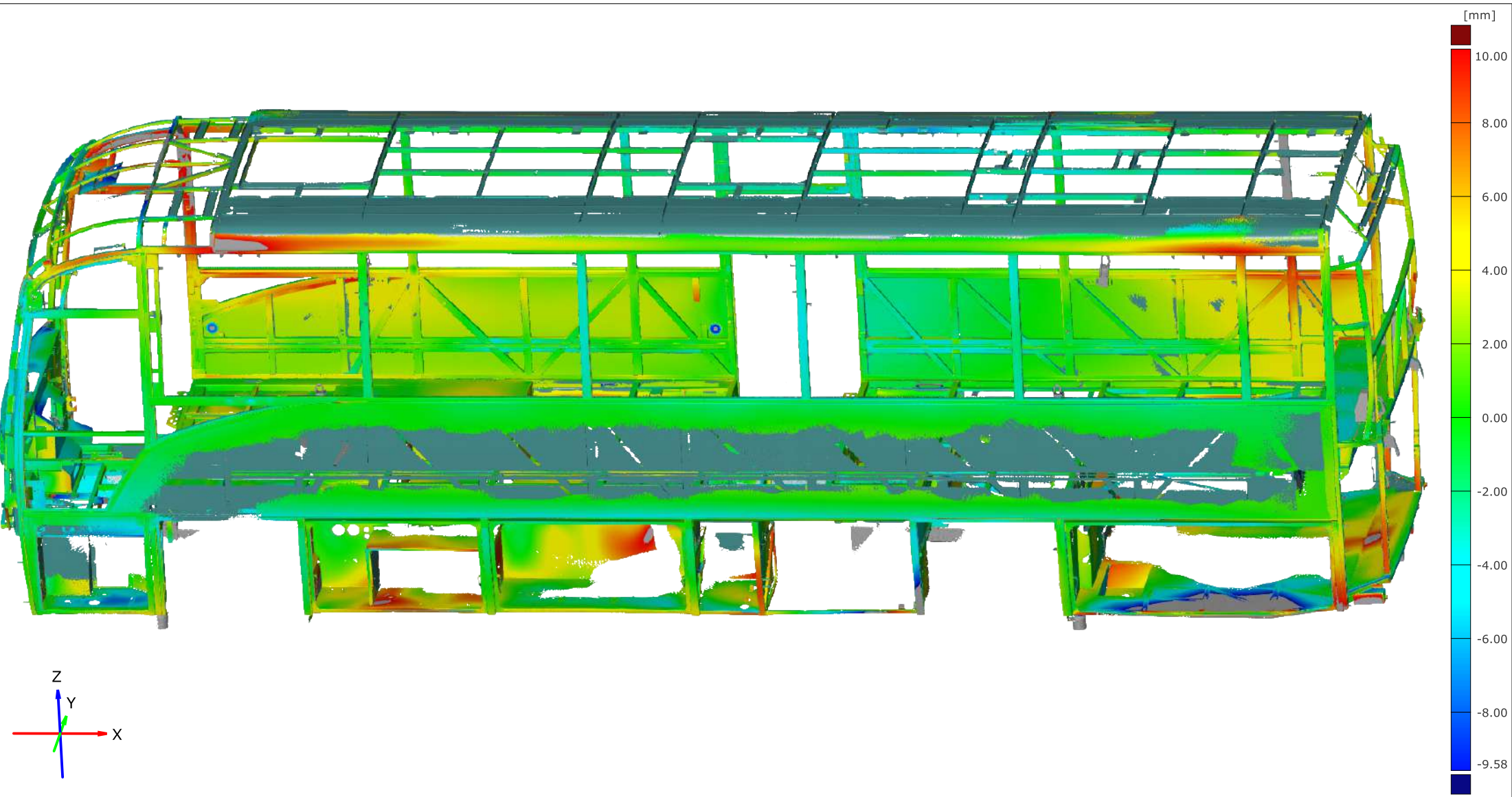
**Inspector:** EVREN ŞENSOY  
**Inspect date:** 2.06.2025  
**Location:** İSTANBUL

**Scan Data Name :** 1  
**Cad Data Name :** 399915210000-GOVDE-0.0-In Work-RECEPSA

**CAD data:**  
399915210000-GOVDE-0.0-In Work-RECEPSAHI  
**Alignment:**  
Prealignment

# Surface Analysis

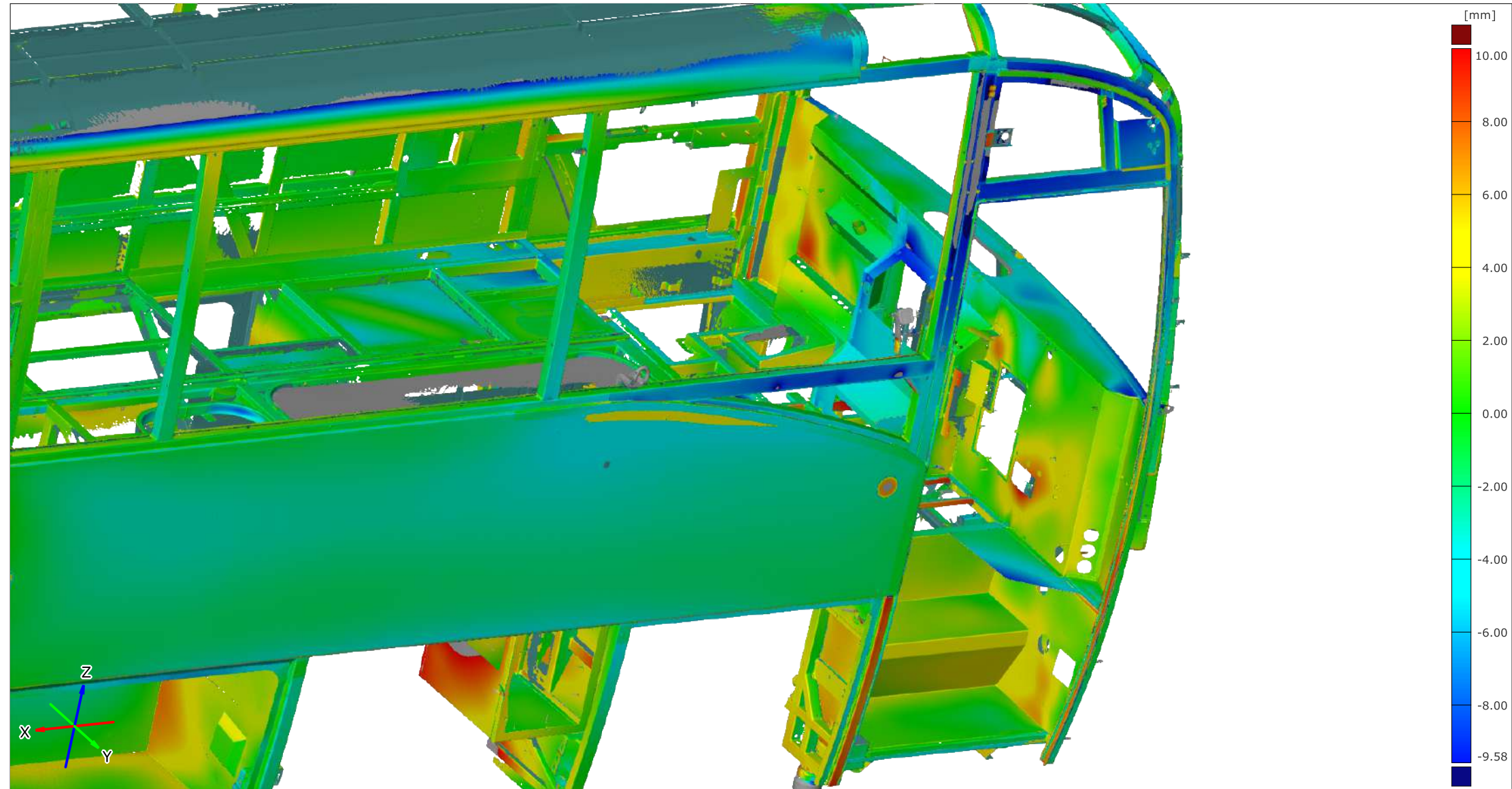
12/31



**Inspector:** EVREN ŞENSOY  
**Inspect date:** 2.06.2025  
**Location:** İSTANBUL

**Scan Data Name :** 1  
**Cad Data Name :** 399915210000-GOVDE-0.0-In Work-RECEPSA

**CAD data:**  
399915210000-GOVDE-0.0-In Work-RECEPSAHI  
**Alignment:**  
Prealignment



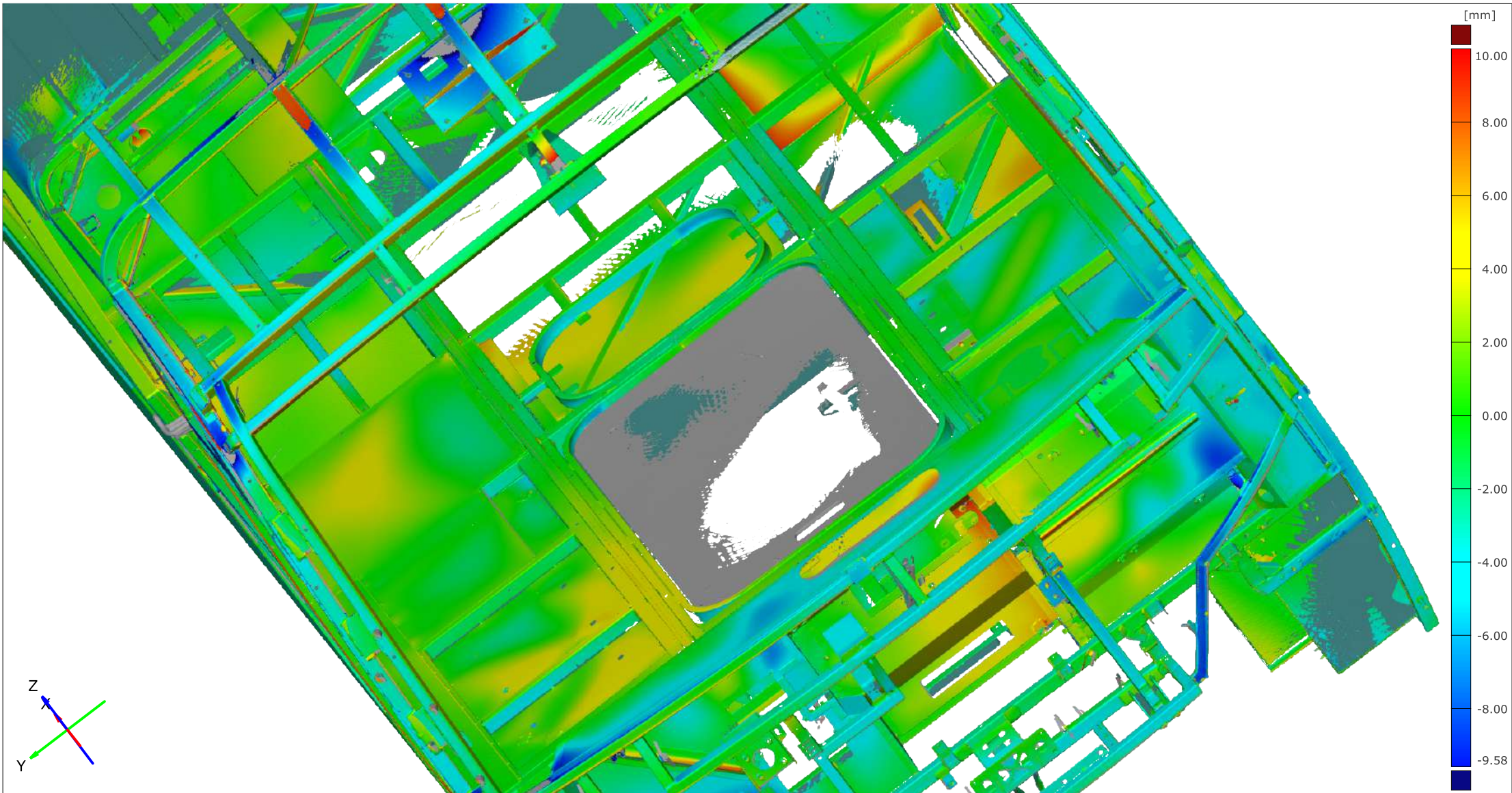
**Inspector:** EVREN ŞENSOY  
**Inspect date:** 2.06.2025  
**Location:** İSTANBUL

**Scan Data Name :** 1  
**Cad Data Name :** 399915210000-GOVDE-0.0-In Work-RECEPSA

**CAD data:**  
399915210000-GOVDE-0.0-In Work-RECEPSAHI  
**Alignment:**  
Prealignment

# Surface Analysis

14/31



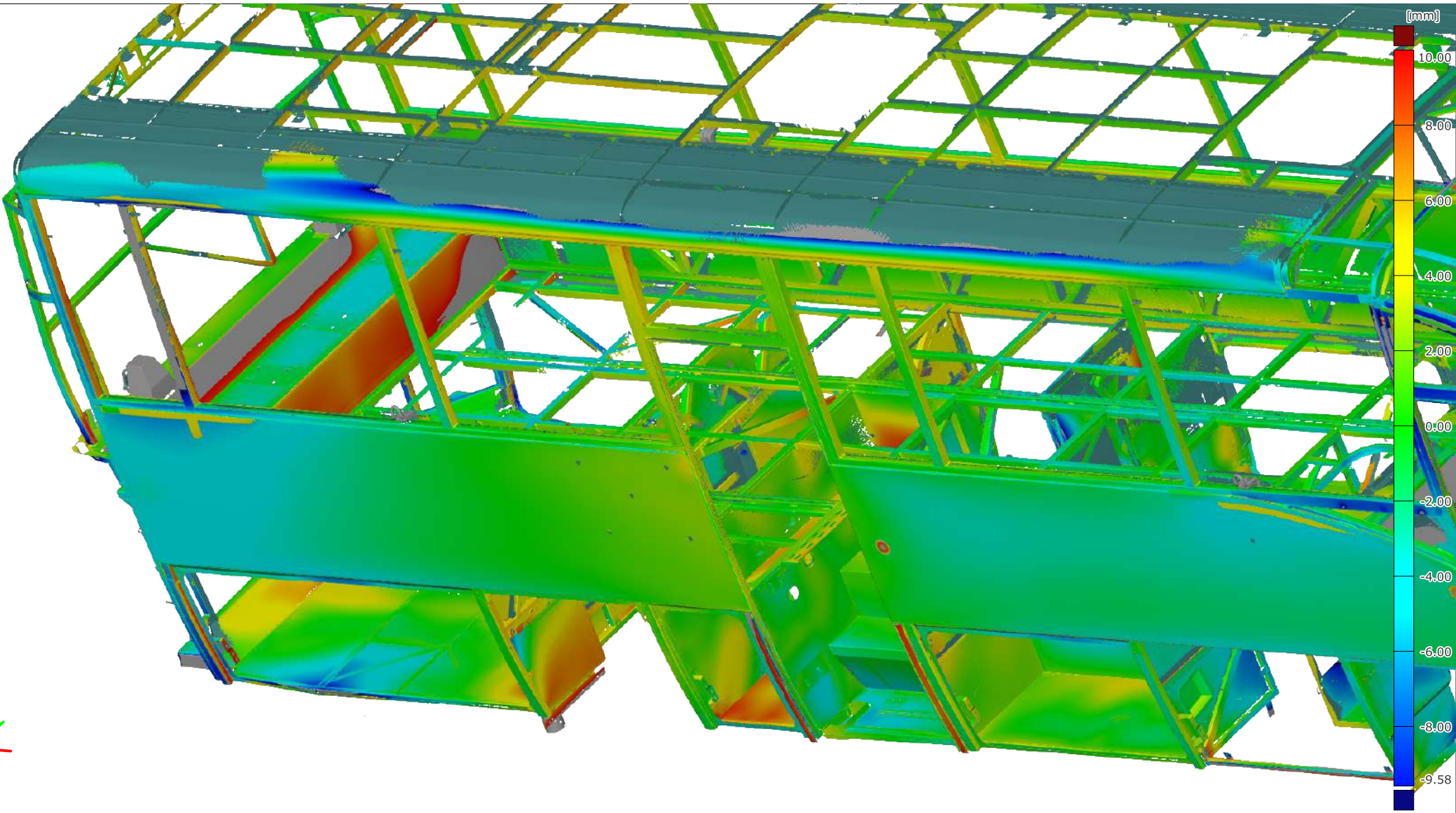
**Inspector:** EVREN ŞENSOY  
**Inspect date:** 2.06.2025  
**Location:** İSTANBUL

**Scan Data Name :** 1  
**Cad Data Name :** 399915210000-GOVDE-0.0-In Work-RECEPSA

**CAD data:**  
399915210000-GOVDE-0.0-In Work-RECEPSAHI  
**Alignment:**  
Prealignment

# Surface Analysis

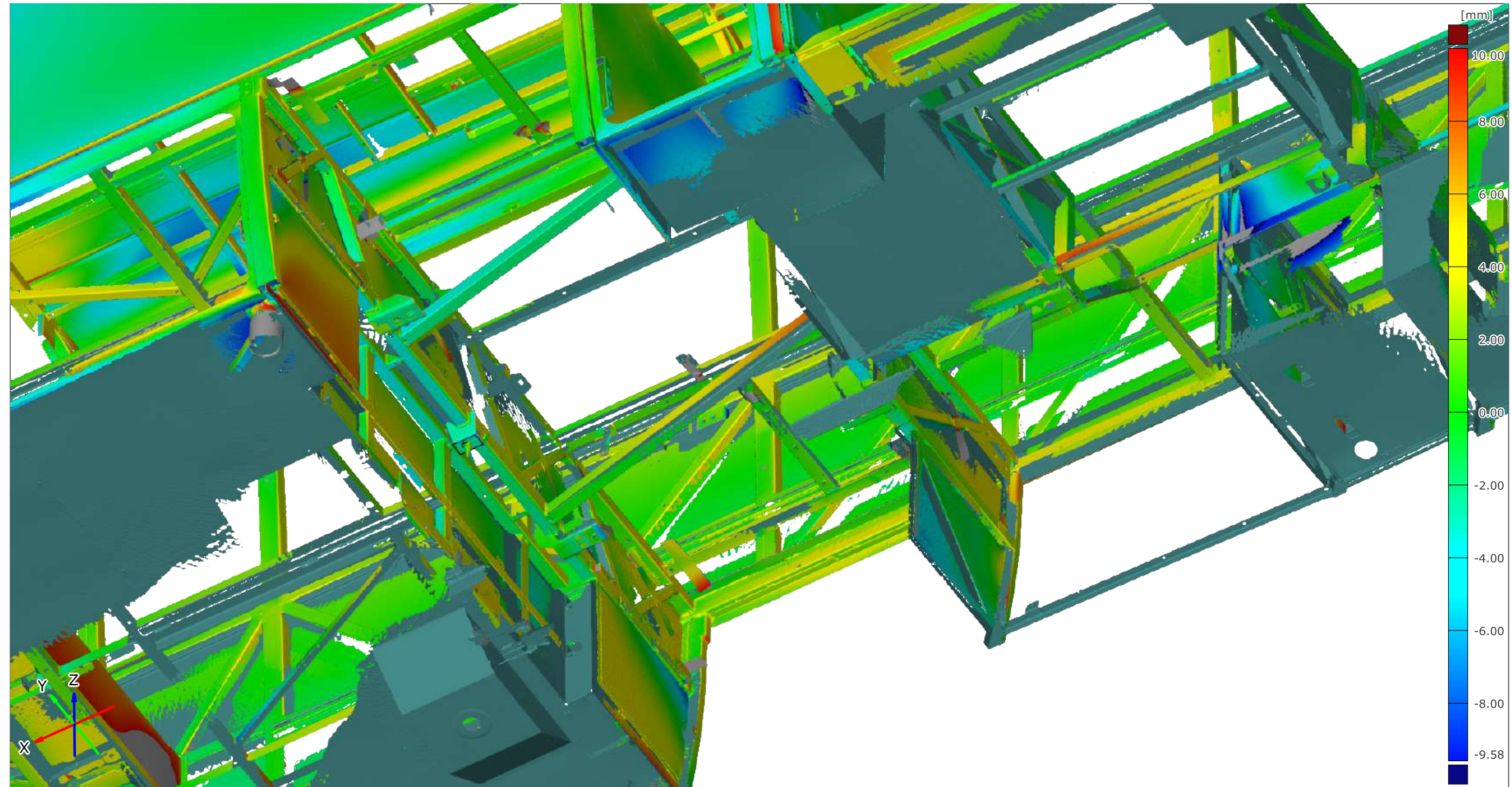
15/31



**Inspector:** EVREN ŞENSOY  
**Inspect date:** 2.06.2025  
**Location:** İSTANBUL

**Scan Data Name :** 1  
**Cad Data Name :** 399915210000-GOVDE-0.0-In Work-RECEPSA

**CAD data:**  
399915210000-GOVDE-0.0-In Work-RECEPSAHI  
**Alignment:**  
Prealignment



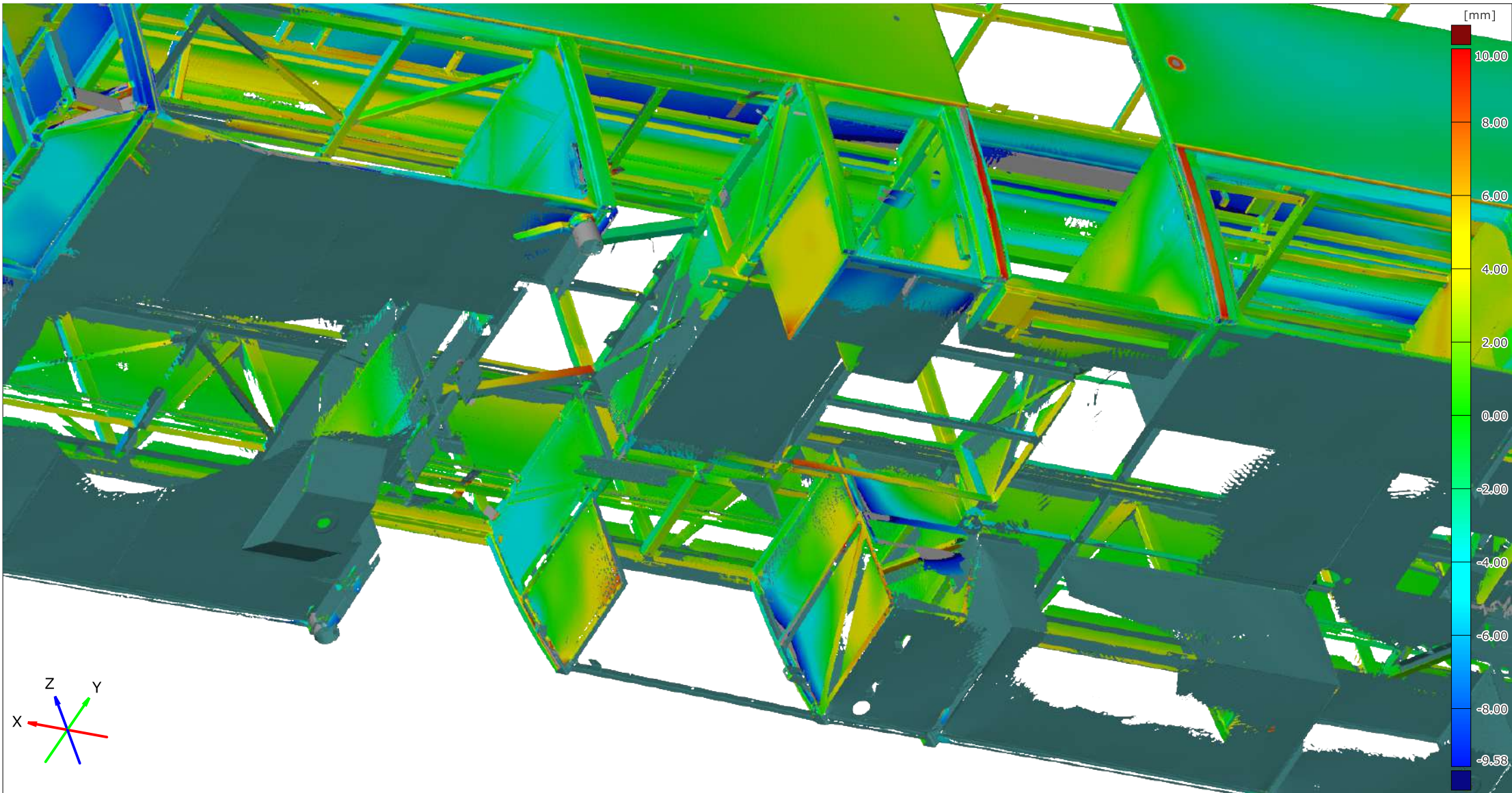
**Inspector:** EVREN ŞENSOY  
**Inspect date:** 2.06.2025  
**Location:** İSTANBUL

**Scan Data Name :** 1  
**Cad Data Name :** 399915210000-GOVDE-0.0-In Work-RECEPSA

**CAD data:**  
399915210000-GOVDE-0.0-In Work-RECEPSAHI  
**Alignment:**  
Prealignment

# Surface Analysis

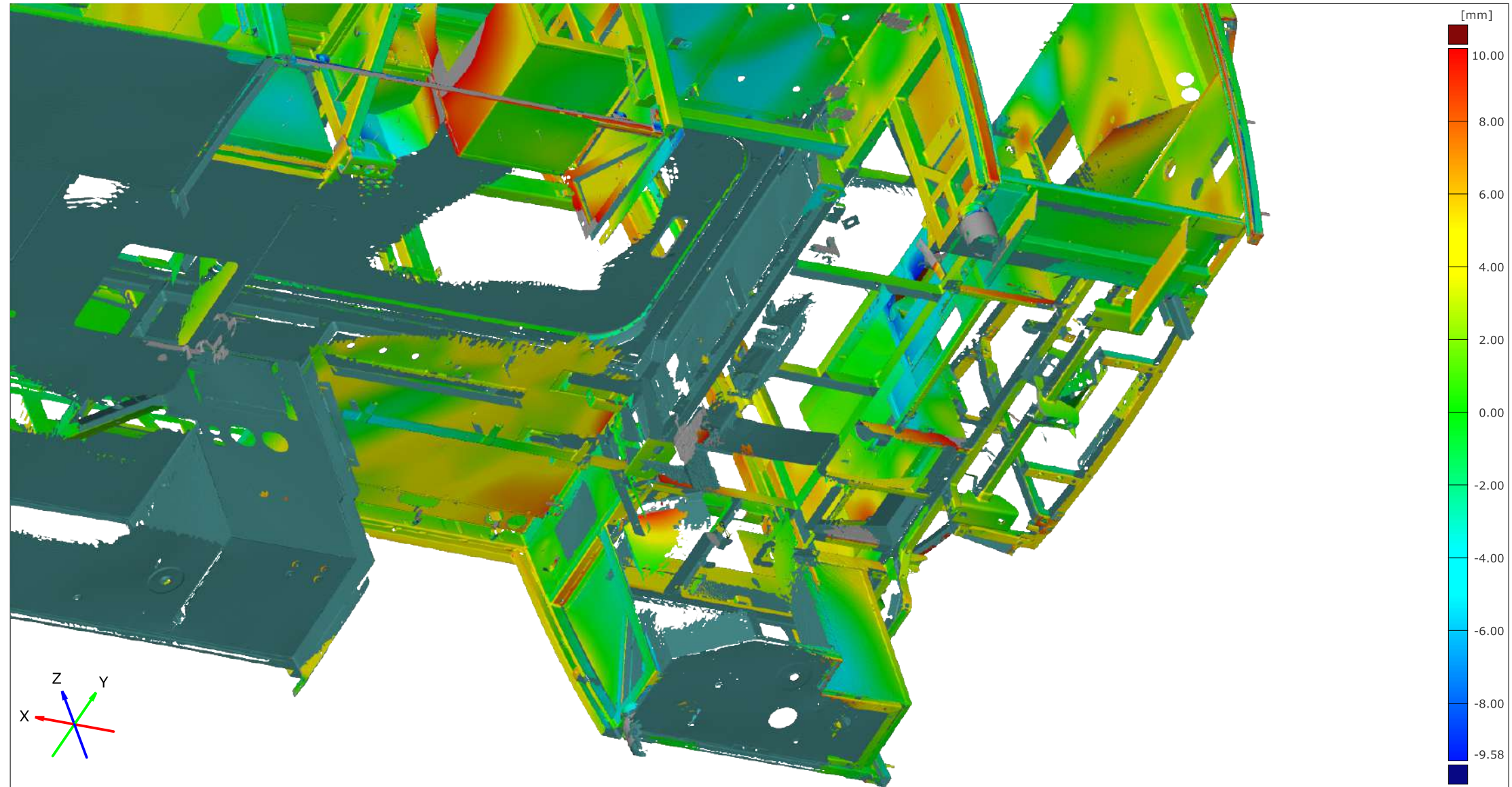
17/31



**Inspector:** EVREN ŞENSOY  
**Inspect date:** 2.06.2025  
**Location:** İSTANBUL

**Scan Data Name :** 1  
**Cad Data Name :** 399915210000-GOVDE-0.0-In Work-RECEPSA

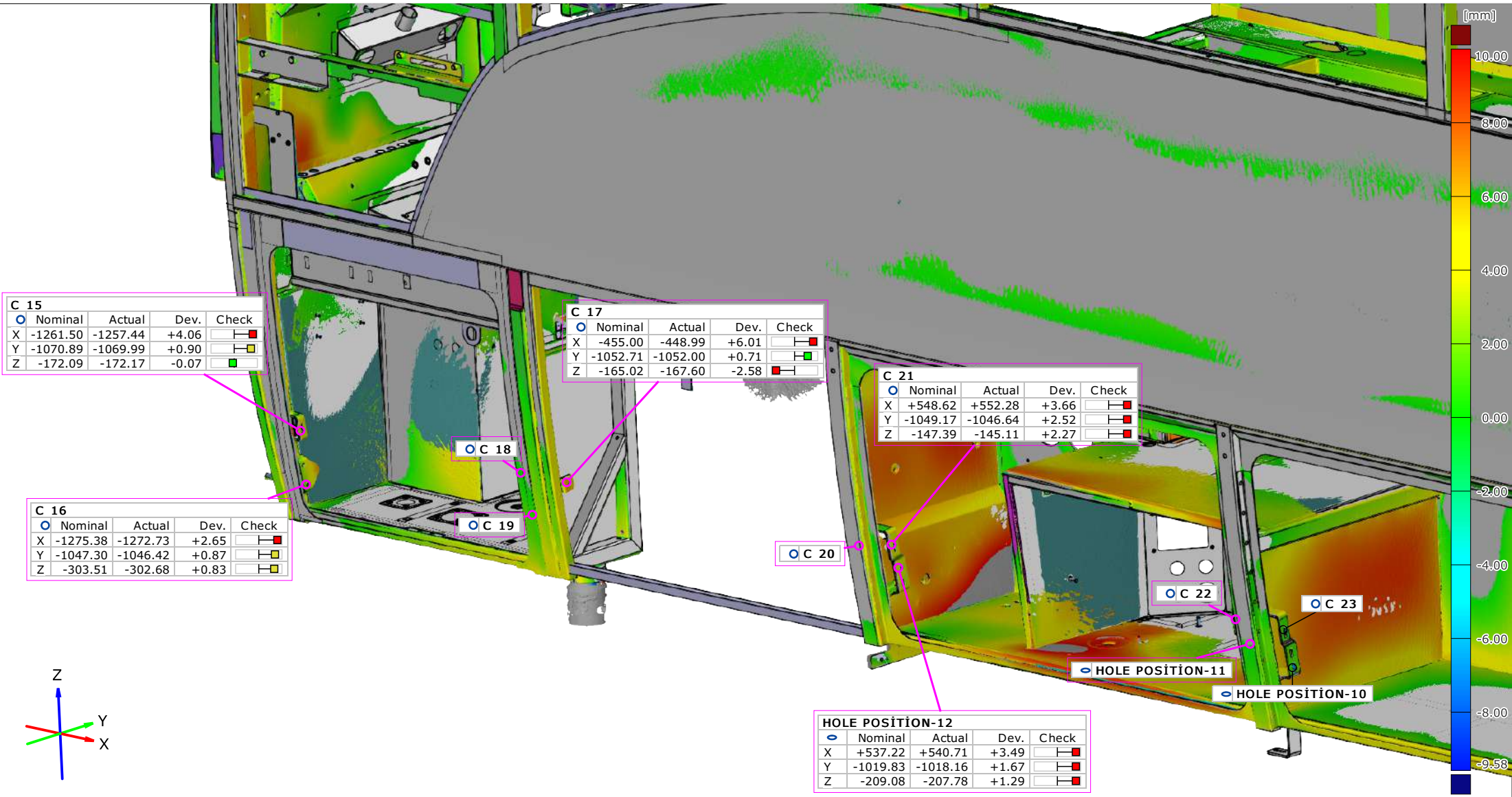
**CAD data:**  
399915210000-GOVDE-0.0-In Work-RECEPSAHI  
**Alignment:**  
Prealignment



**Inspector:** EVREN ŞENSOY  
**Inspect date:** 2.06.2025  
**Location:** İSTANBUL

**Scan Data Name :** 1  
**Cad Data Name :** 399915210000-GOVDE-0.0-In Work-RECEPSA

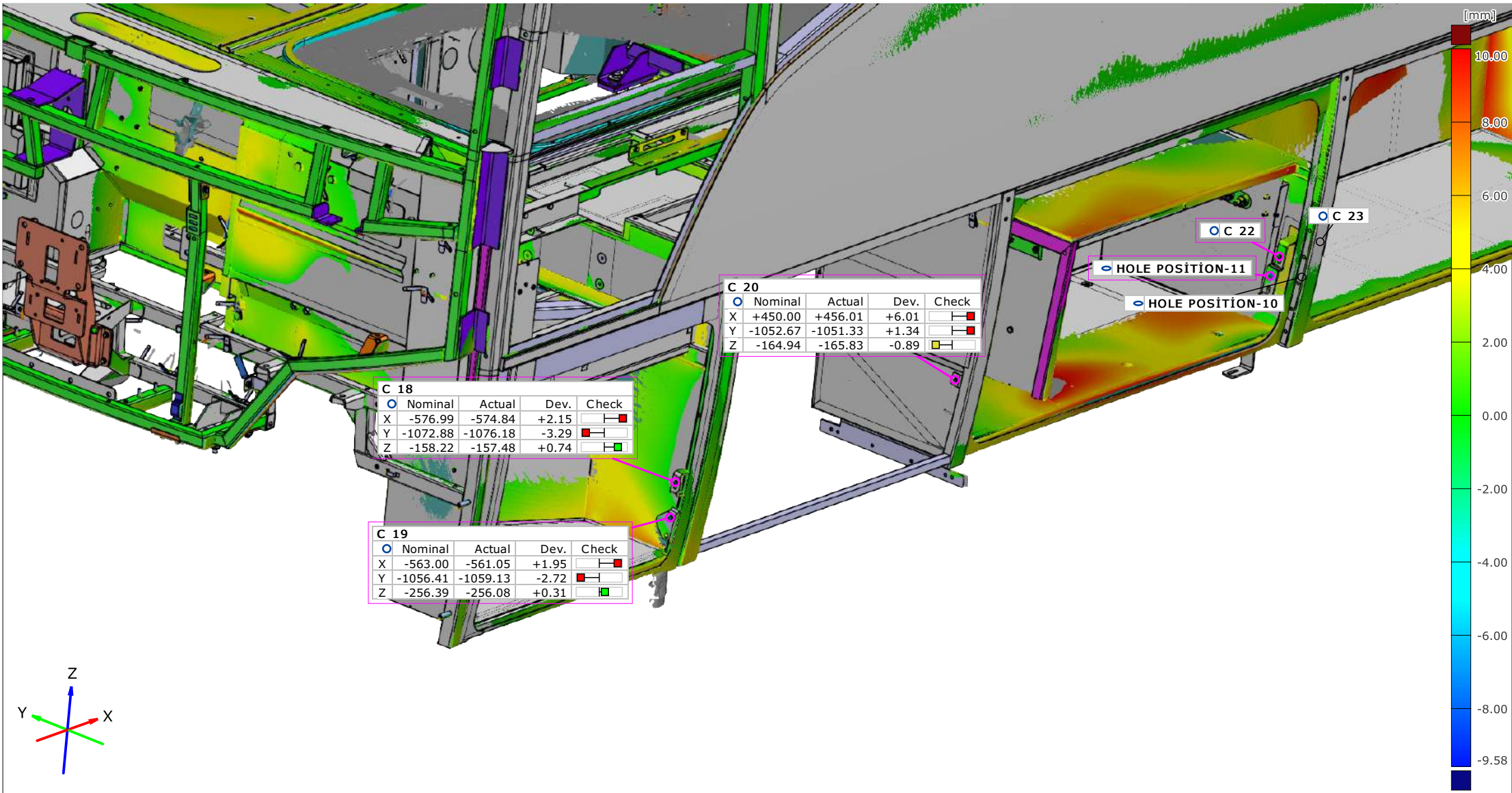
**CAD data:**  
399915210000-GOVDE-0.0-In Work-RECEPSAHI  
**Alignment:**  
Prealignment



Inspector: EVREN ŞENSOY  
 Inspect date: 2.06.2025  
 Location: İSTANBUL

Scan Data Name : 1  
 Cad Data Name : 399915210000-GOVDE-0.0-In Work-RECEPSAHI

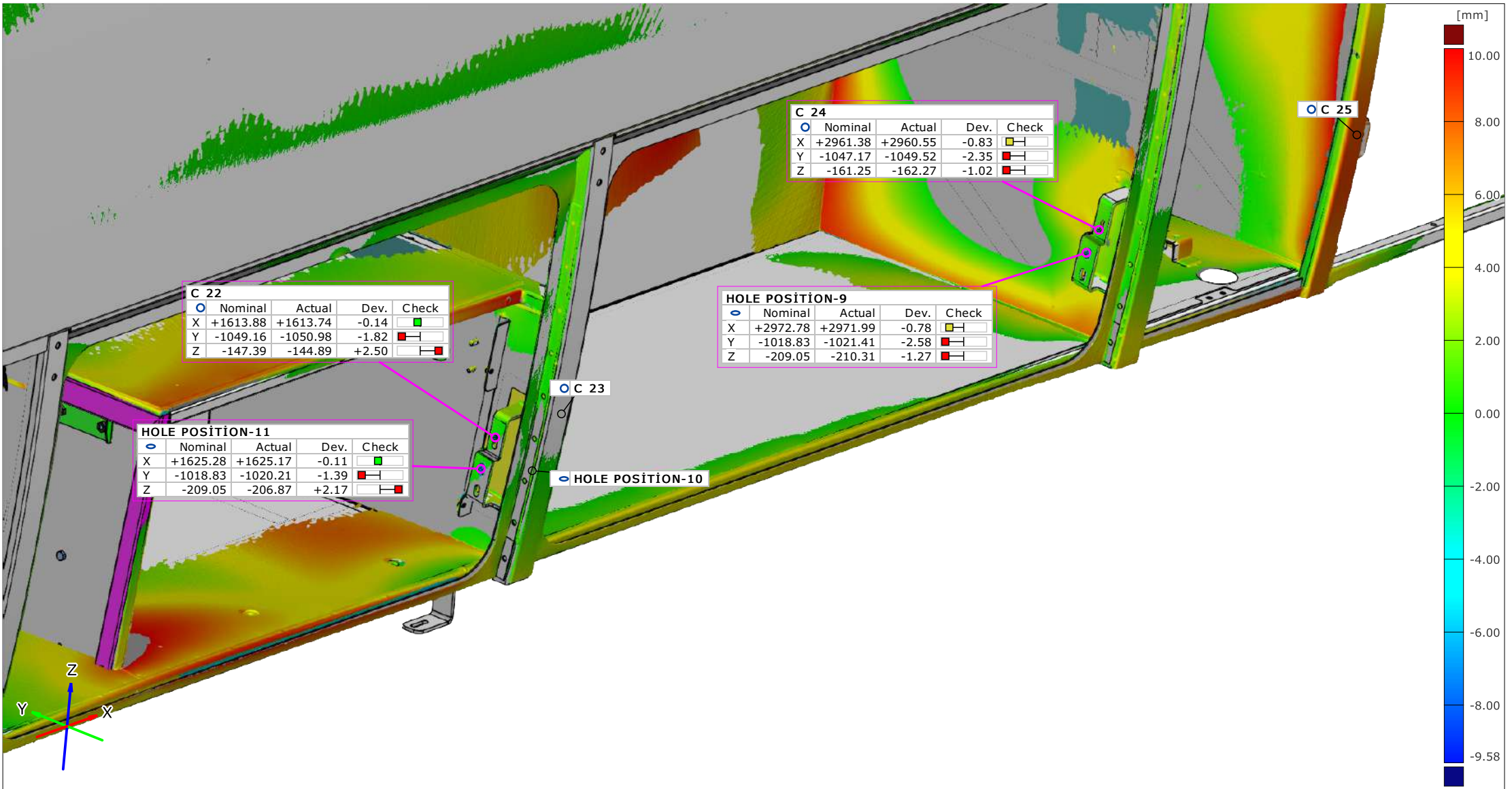
CAD data:  
 399915210000-GOVDE-0.0-In Work-RECEPSAHI  
 Alignment:  
 Prealignment



Inspector: EVREN ŞENSOY  
 Inspect date: 2.06.2025  
 Location: İSTANBUL

Scan Data Name : 1  
 Cad Data Name : 399915210000-GOVDE-0.0-In Work-RECEPSA

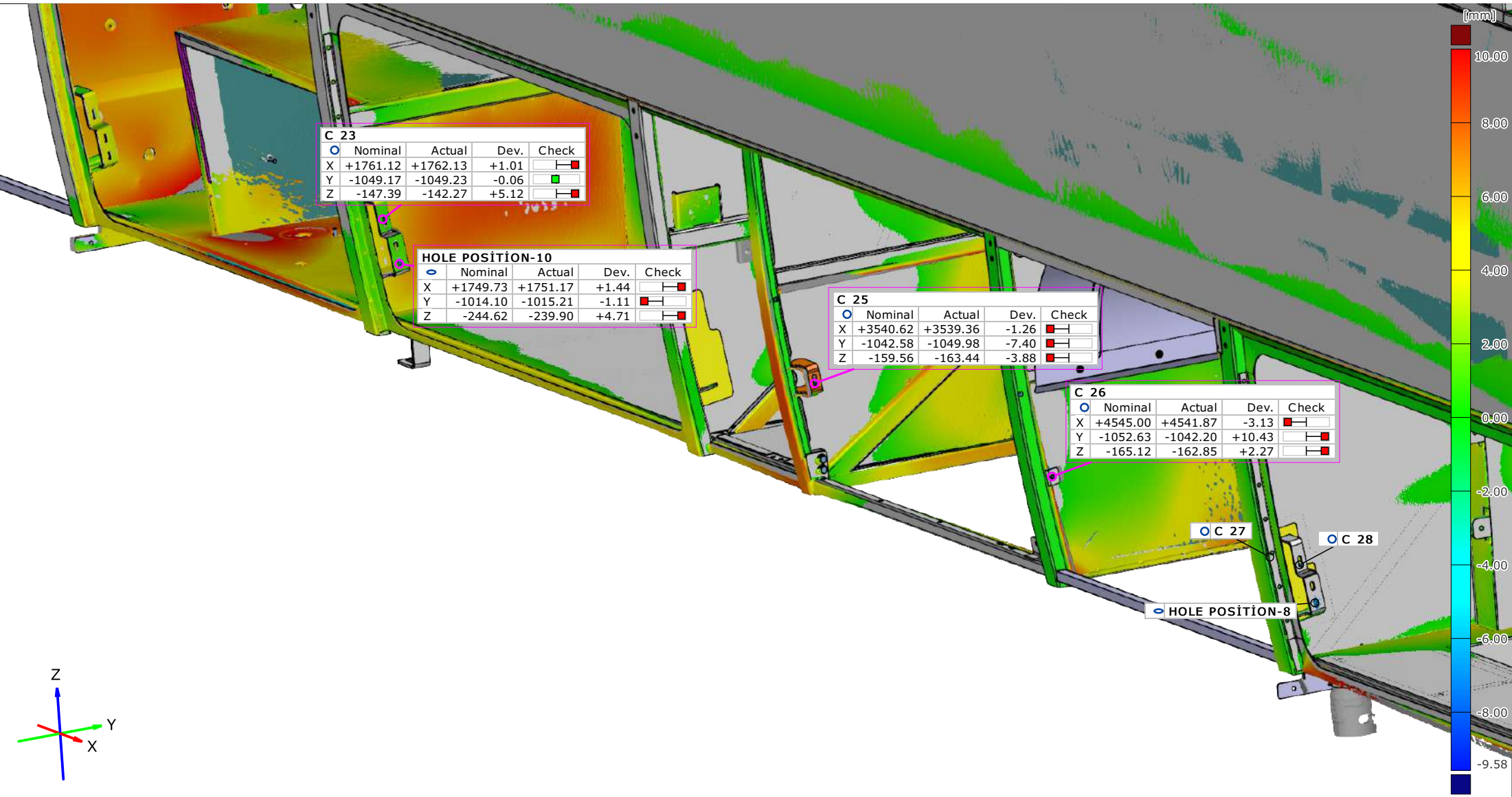
CAD data:  
 399915210000-GOVDE-0.0-In Work-RECEPSAHI  
 Alignment:  
 Prealignment



Inspector: EVREN ŞENSOY  
Inspect date: 2.06.2025  
Location: İSTANBUL

Scan Data Name : 1  
Cad Data Name : 399915210000-GOVDE-0.0-In Work-RECEPSA

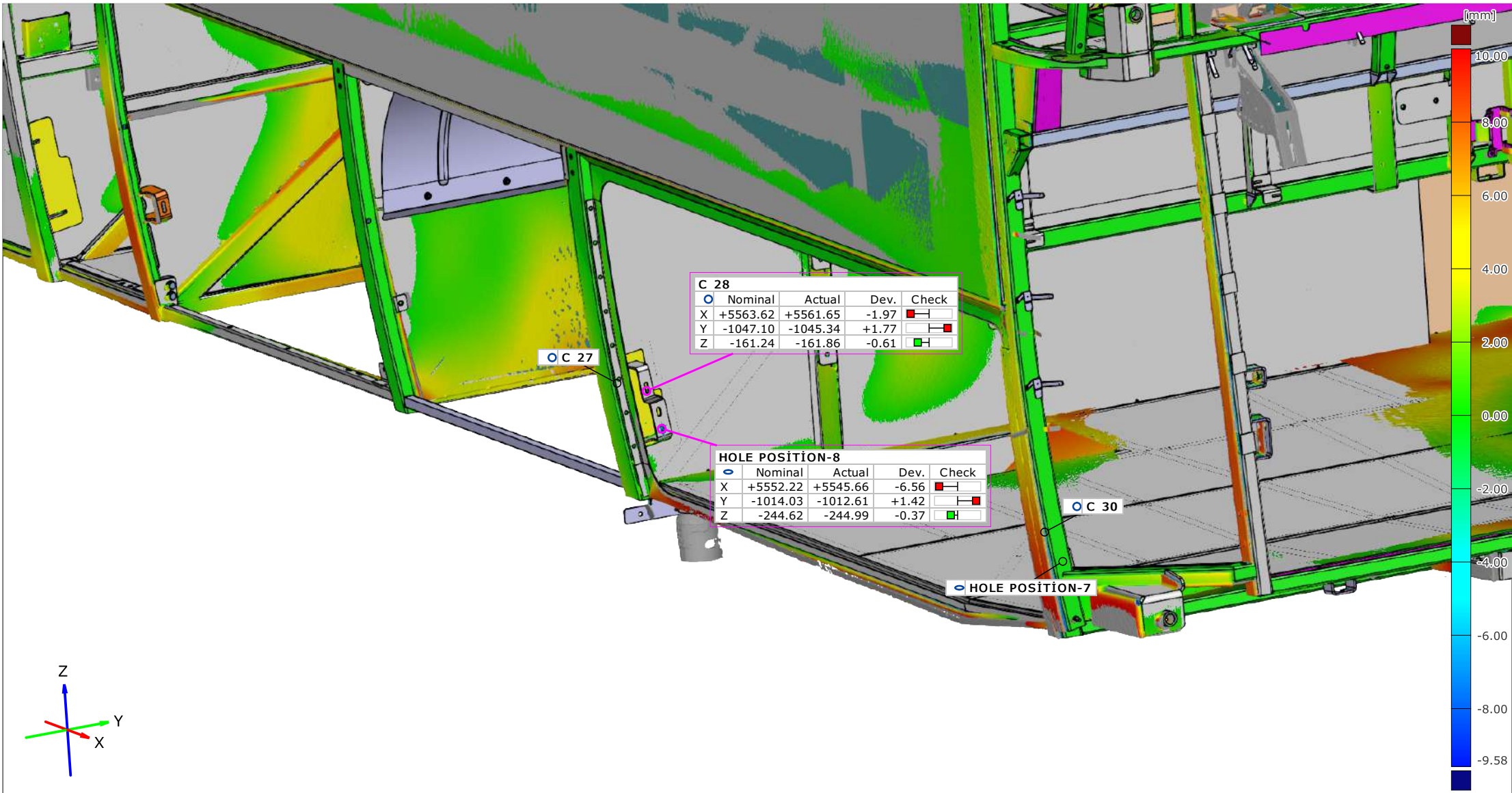
CAD data:  
399915210000-GOVDE-0.0-In Work-RECEPSA  
Alignment:  
Prealignment



Inspector: EVREN ŞENSOY  
 Inspect date: 2.06.2025  
 Location: İSTANBUL

Scan Data Name : 1  
 Cad Data Name : 399915210000-GOVDE-0.0-In Work-RECEPSA

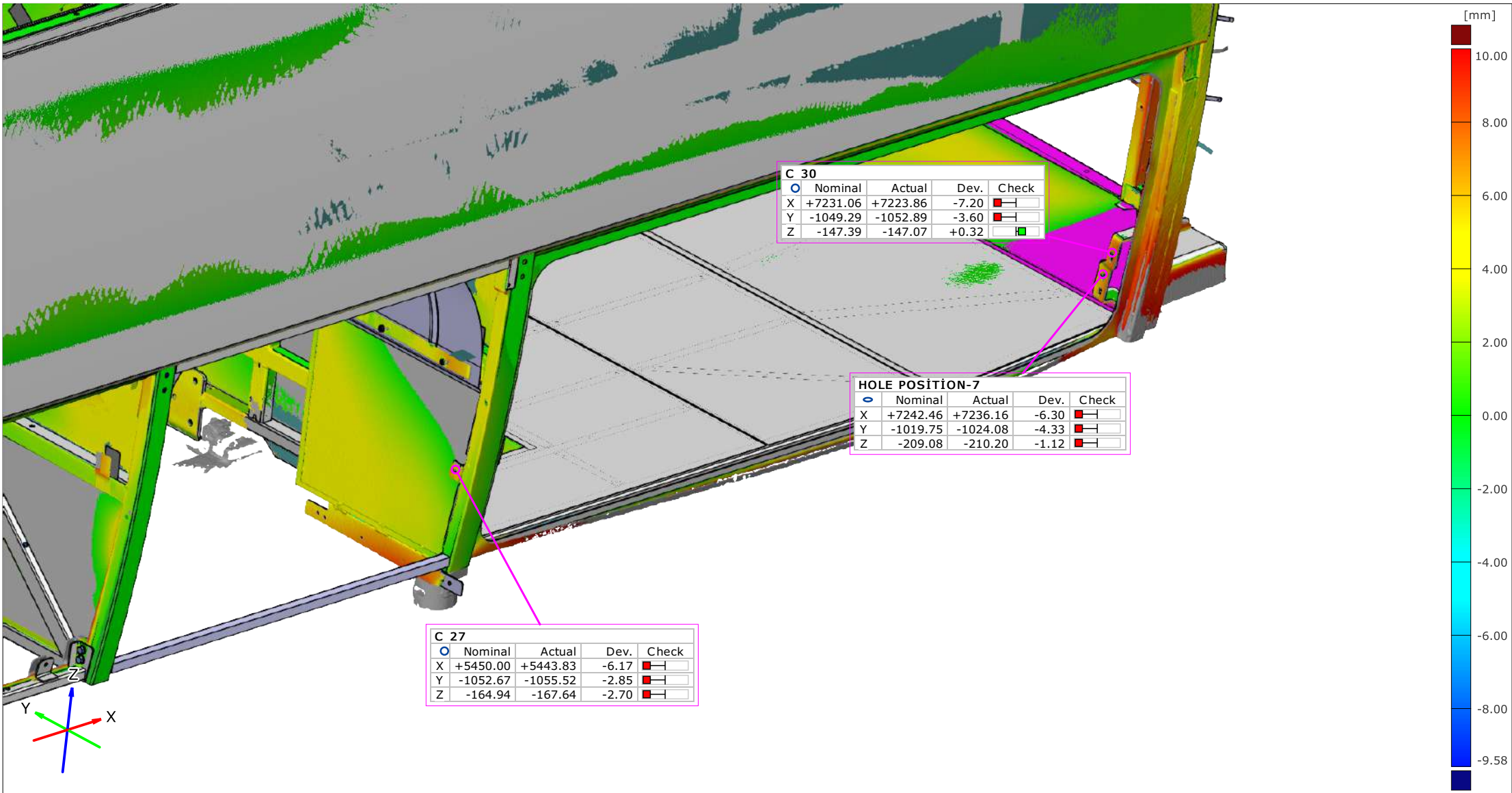
CAD data:  
 399915210000-GOVDE-0.0-In Work-RECEPSAHI  
 Alignment:  
 Prealignment



Inspector: EVREN ŞENSOY  
 Inspect date: 2.06.2025  
 Location: İSTANBUL

Scan Data Name : 1  
 Cad Data Name : 399915210000-GOVDE-0.0-In Work-RECEPSA

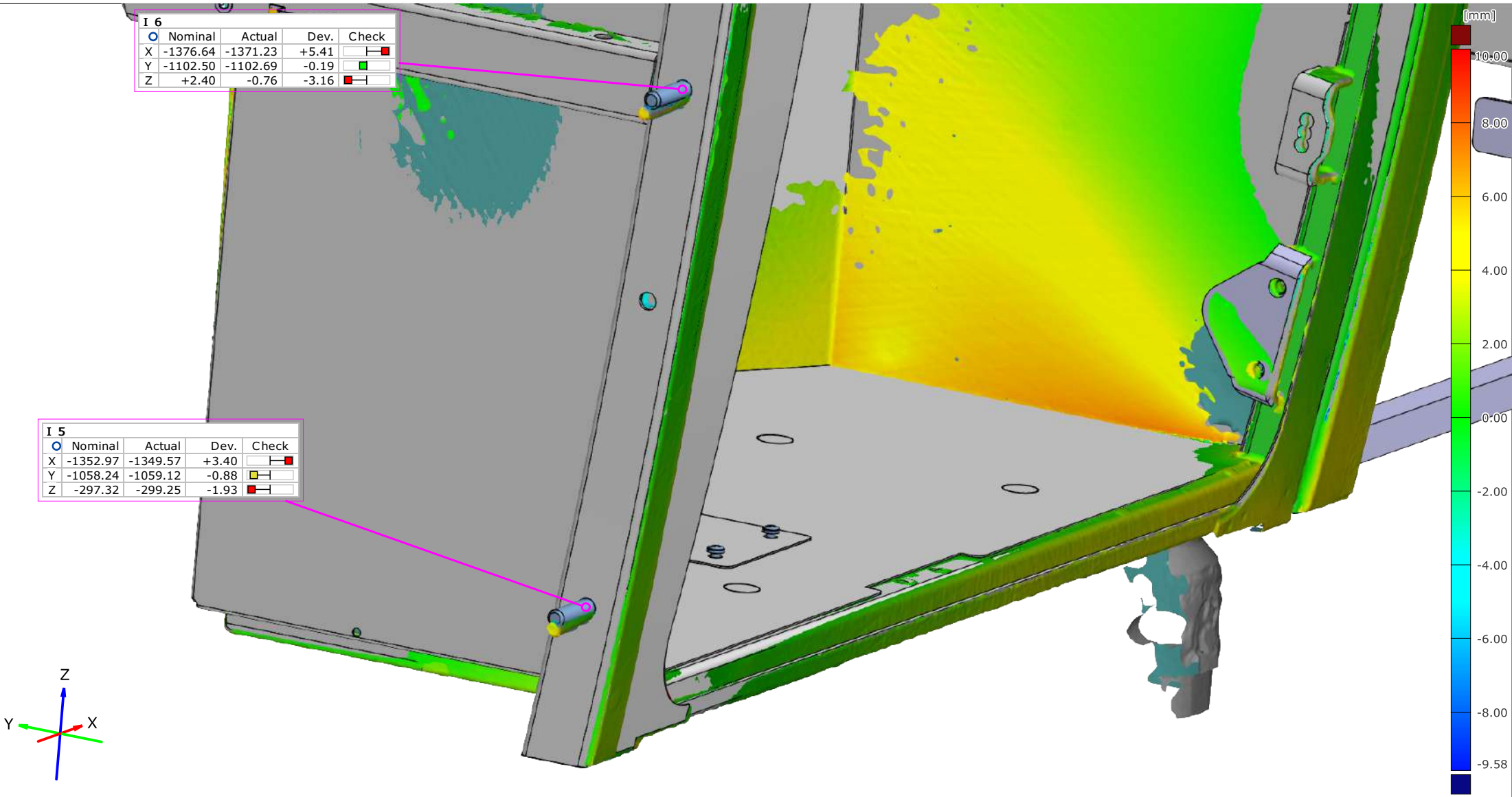
CAD data:  
 399915210000-GOVDE-0.0-In Work-RECEPSA  
 Alignment:  
 Prealignment



Inspector: EVREN ŞENSOY  
 Inspect date: 2.06.2025  
 Location: İSTANBUL

Scan Data Name : 1  
 Cad Data Name : 399915210000-GOVDE-0.0-In Work-RECEPSAHI

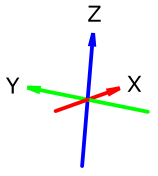
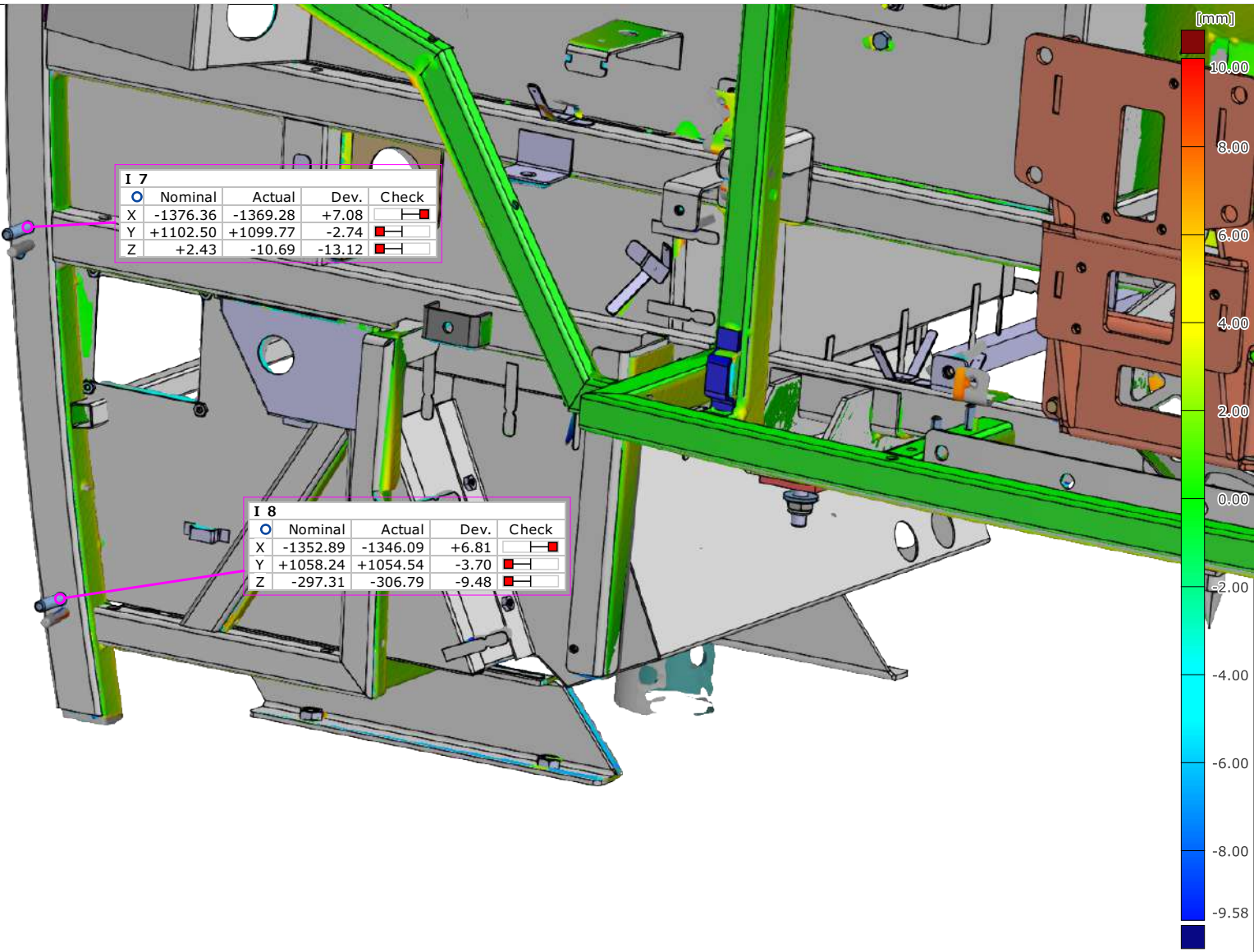
CAD data:  
 399915210000-GOVDE-0.0-In Work-RECEPSAHI  
 Alignment:  
 Prealignment



**Inspector:** EVREN ŞENSOY  
**Inspect date:** 2.06.2025  
**Location:** İSTANBUL

**Scan Data Name :** 1  
**Cad Data Name :** 399915210000-GOVDE-0.0-In Work-RECEPSA

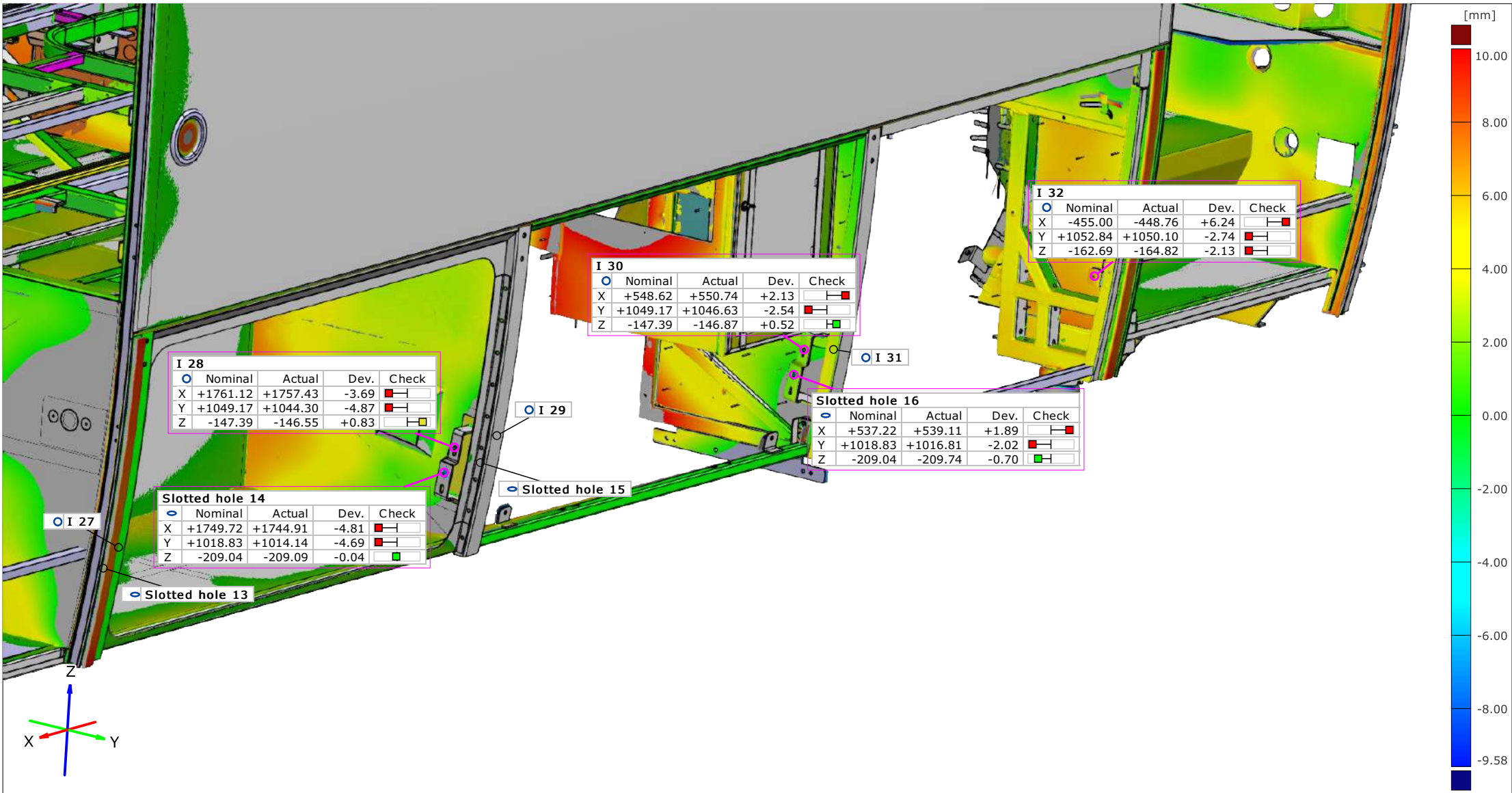
**CAD data:**  
399915210000-GOVDE-0.0-In Work-RECEPSAHI  
**Alignment:**  
Prealignment



Inspector: EVREN ŞENSOY  
 Inspect date: 2.06.2025  
 Location: İSTANBUL

Scan Data Name : 1  
 Cad Data Name : 399915210000-GOVDE-0.0-In Work-RECEPSA

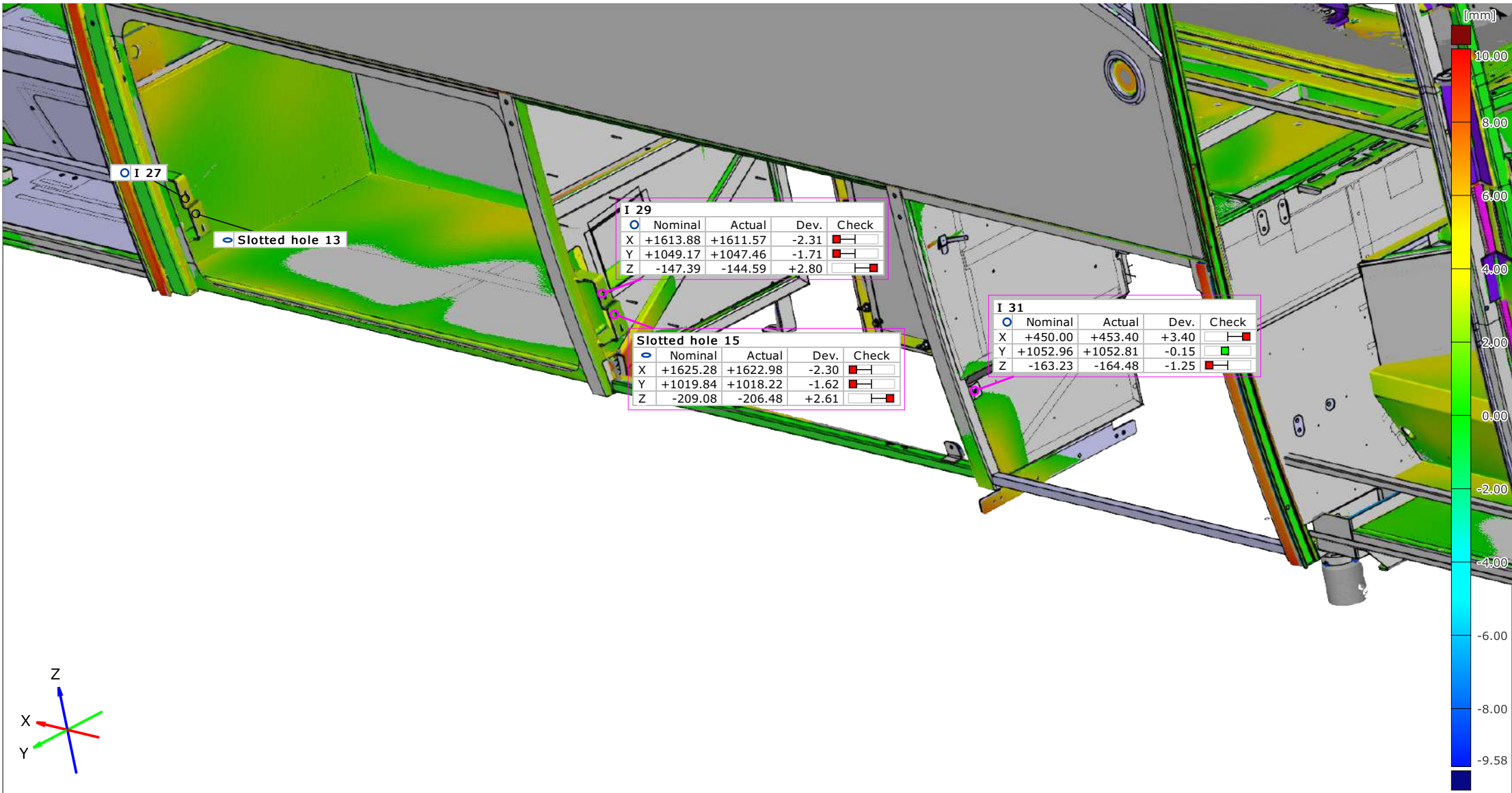
CAD data:  
 399915210000-GOVDE-0.0-In Work-RECEPSAHI  
 Alignment:  
 Prealignment



Inspector: EVREN ŞENSOY  
Inspect date: 2.06.2025  
Location: İSTANBUL

Scan Data Name : 1  
Cad Data Name : 399915210000-GOVDE-0.0-In Work-RECEPSA

CAD data:  
399915210000-GOVDE-0.0-In Work-RECEPSA  
Alignment:  
Prealignment



**I 29**

	Nominal	Actual	Dev.	Check
X	+1613.88	+1611.57	-2.31	
Y	+1049.17	+1047.46	-1.71	
Z	-147.39	-144.59	+2.80	

**Slotted hole 15**

	Nominal	Actual	Dev.	Check
X	+1625.28	+1622.98	-2.30	
Y	+1019.84	+1018.22	-1.62	
Z	-209.08	-206.48	+2.61	

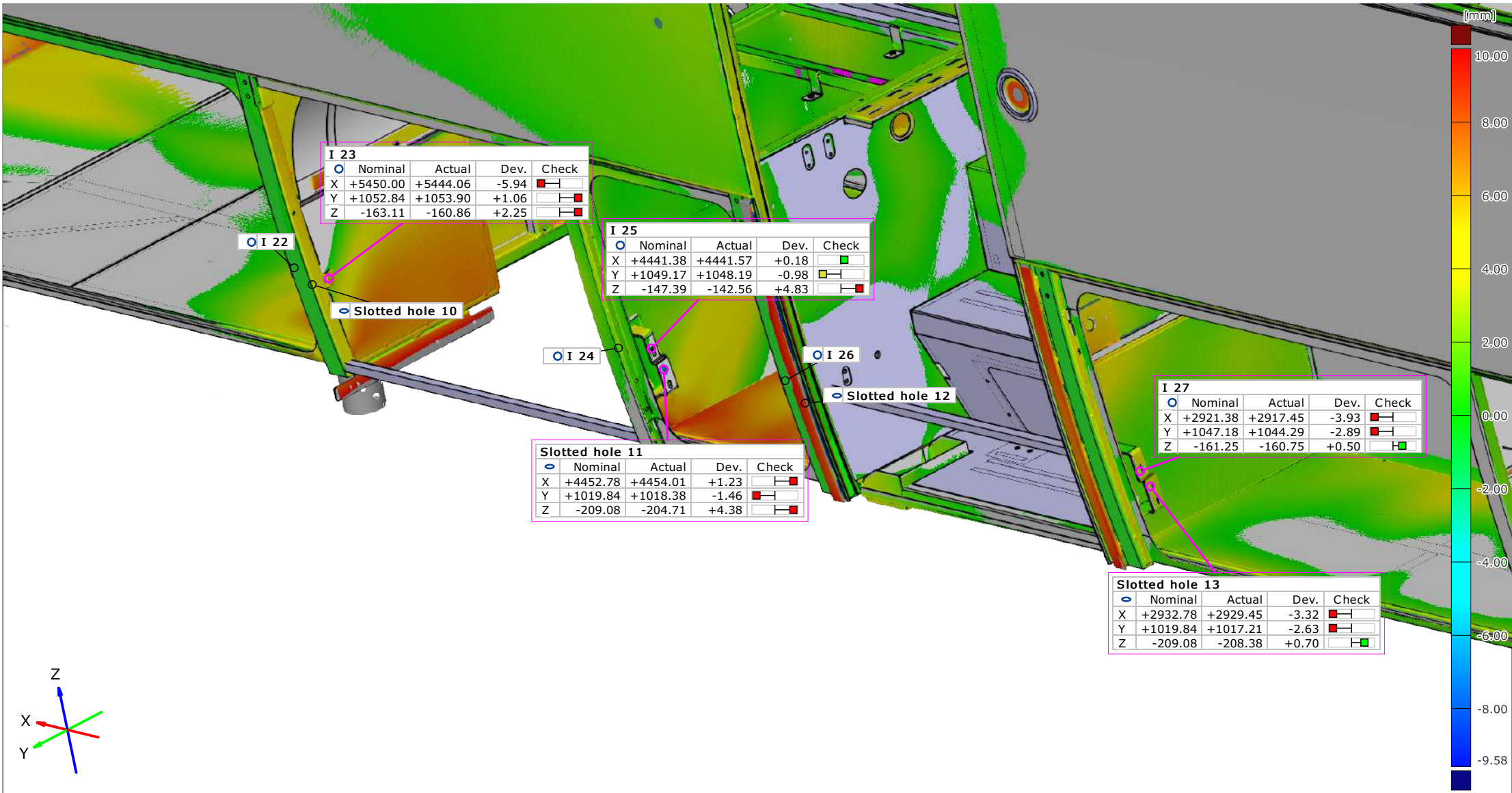
**I 31**

	Nominal	Actual	Dev.	Check
X	+450.00	+453.40	+3.40	
Y	+1052.96	+1052.81	-0.15	
Z	-163.23	-164.48	-1.25	

Inspector: EVREN ŞENSOY  
 Inspect date: 2.06.2025  
 Location: İSTANBUL

Scan Data Name : 1  
 Cad Data Name : 399915210000-GOVDE-0.0-In Work-RECEPSAHI

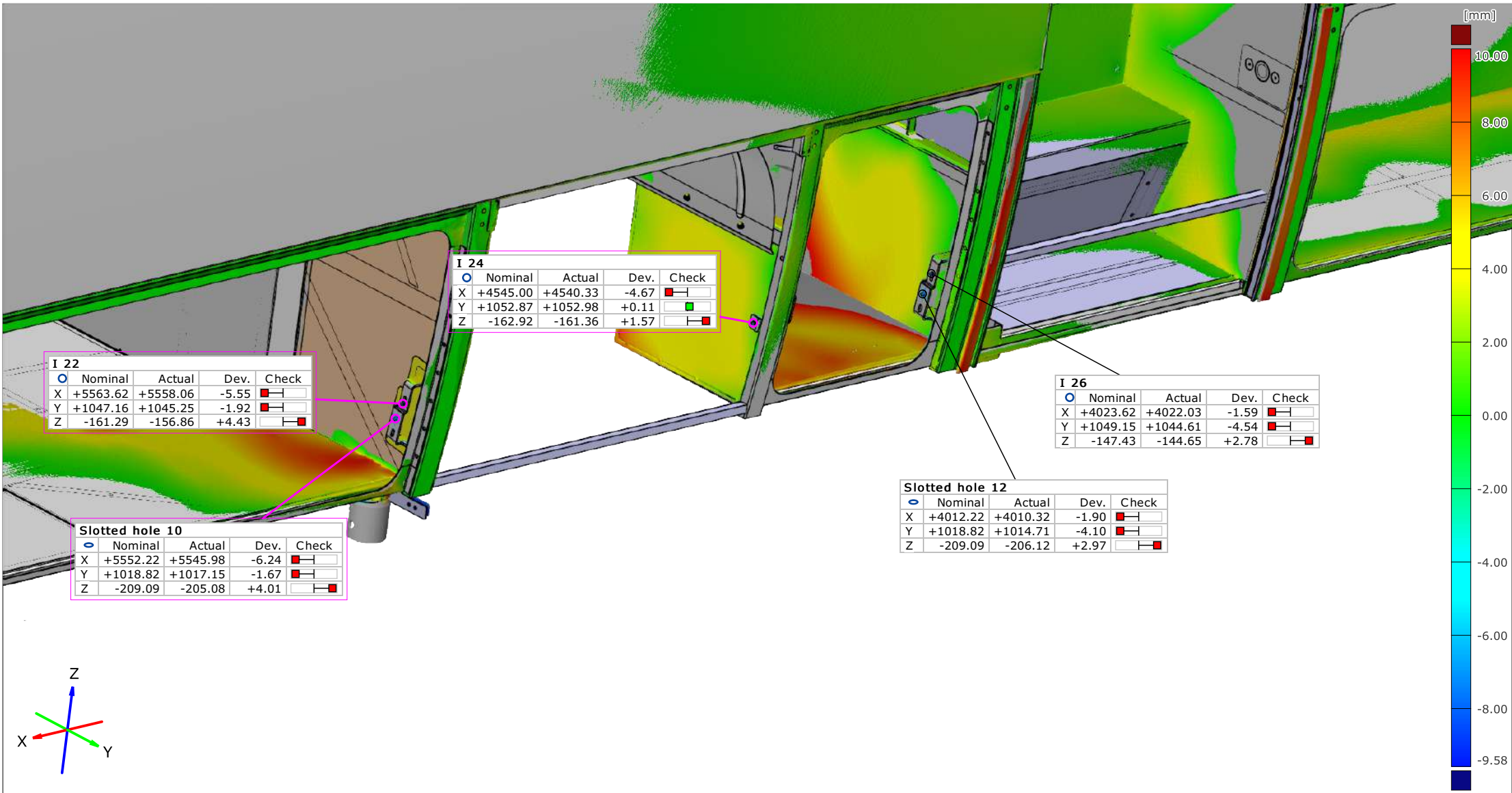
CAD data:  
 399915210000-GOVDE-0.0-In Work-RECEPSAHI  
 Alignment:  
 Prealignment



Inspector: EVREN ŞENSOY  
Inspect date: 2.06.2025  
Location: İSTANBUL

Scan Data Name : 1  
Cad Data Name : 399915210000-GOVDE-0.0-In Work-RECEPSA

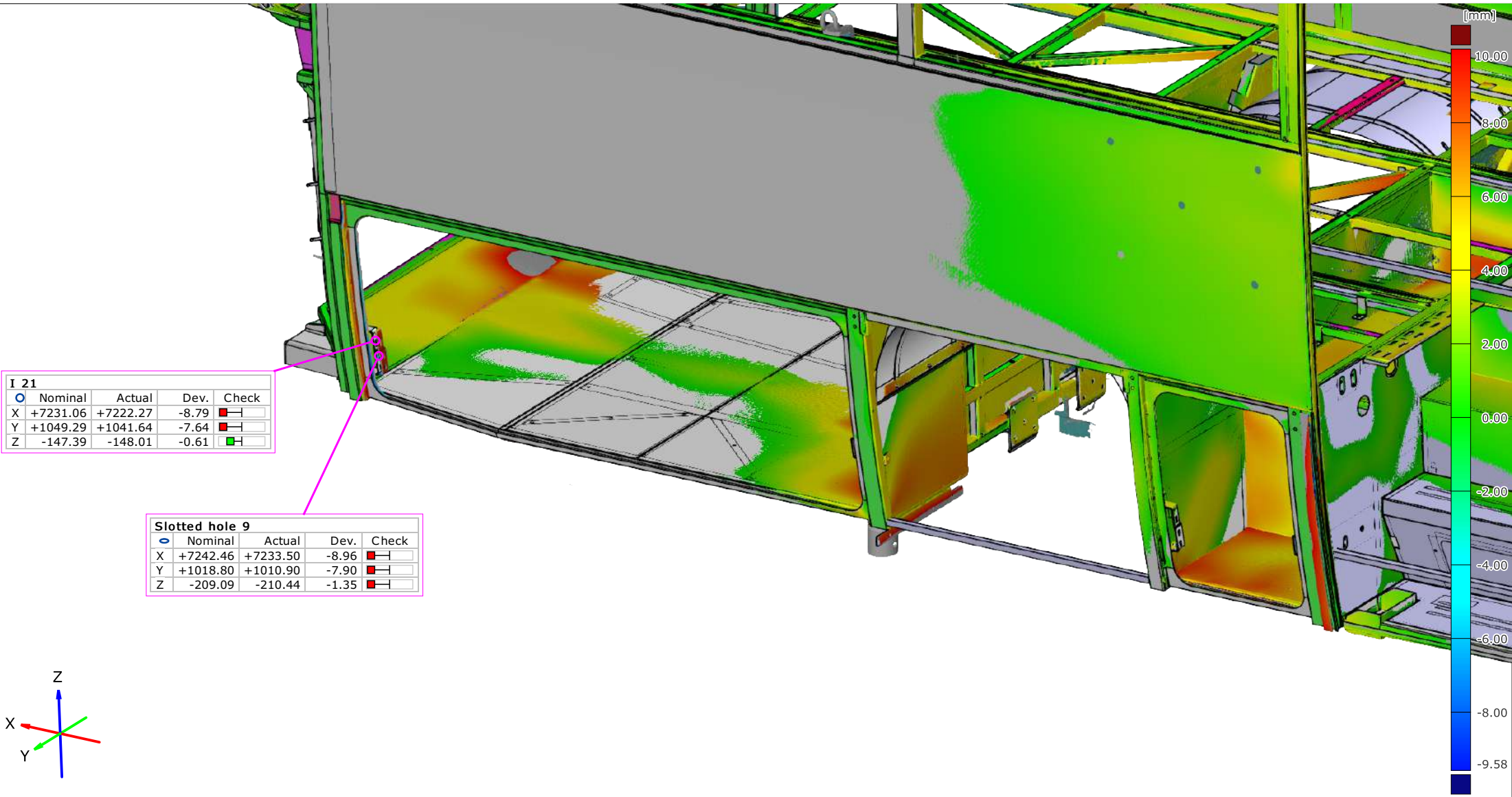
CAD data:  
399915210000-GOVDE-0.0-In Work-RECEPSAHI  
Alignment:  
Prealignment



Inspector: EVREN ŞENSOY  
 Inspect date: 2.06.2025  
 Location: İSTANBUL

Scan Data Name : 1  
 Cad Data Name : 399915210000-GOVDE-0.0-In Work-RECEPSAHI

CAD data:  
 399915210000-GOVDE-0.0-In Work-RECEPSAHI  
 Alignment:  
 Prealignment



Inspector: EVREN ŞENSOY  
Inspect date: 2.06.2025  
Location: İSTANBUL

Scan Data Name : 1  
Cad Data Name : 399915210000-GOVDE-0.0-In Work-RECEPSA

CAD data:  
399915210000-GOVDE-0.0-In Work-RECEPSAHI  
Alignment:  
Prealignment